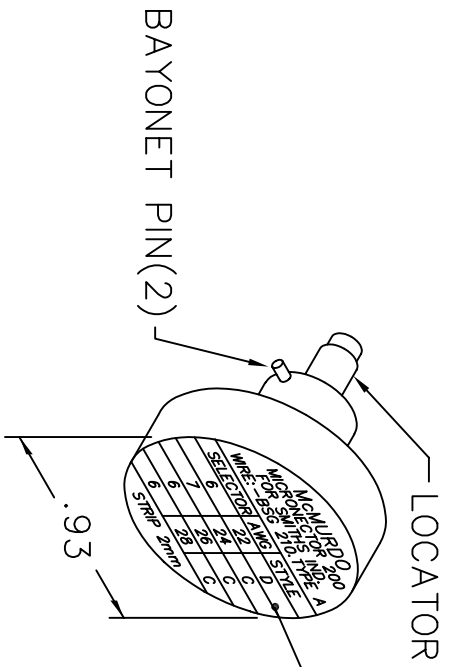
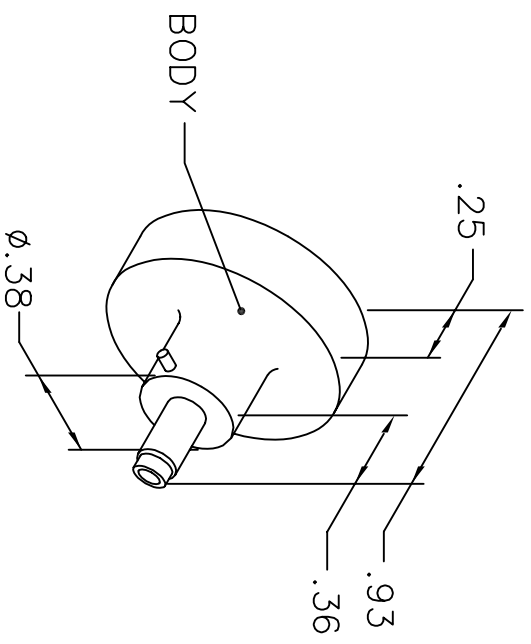


| REVISIONS |               |                  |              |              |
|-----------|---------------|------------------|--------------|--------------|
| REV. SYM. | E.C.O. NUMBER | DESCRIPTION      | BY DATE      | APP'D DATE   |
| 1         |               | ORIGINAL RELEASE | AAM 10-17-01 | RRR 10-17-01 |

**UNCONTROLLED DOCUMENT  
WILL NOT BE UPDATED**



|   |     |       |  |
|---|-----|-------|--|
| McMURDO<br>MICRONECTOR 200<br>FOR SMITHS IND.<br>WIRE: -BSG 210. TYPE A |     |       |  |
| SELECTOR  | AWG | STYLE |  |
| 6   | 22  | D     |  |
| 7   | 24  | C     |  |
| 6   | 26  | C     |  |
| 6   | 28  | C     |  |
| STRIP 2mm   |     |       |  |

NOTE: FOR USE WITH DANIELS CRIMP TOOLS  
ACCOMMODATING "K" SERIES POSITIONERS

|                 |                     |
|-----------------|---------------------|
| LOCATOR         | ADDITIONAL FEATURES |
| HOLE DIMENSIONS |                     |
| ∅.063<br>∇.193  |                     |

**RESTRICTED & CONFIDENTIAL**

CONFIDENTIAL PROPERTY OF DANIELS MANUFACTURING CORP. NOT TO BE DISCLOSED TO OTHERS, REPRODUCED OR USED FOR ANY OTHER PURPOSE, EXCEPT AS AUTHORIZED IN WRITING BY DANIELS MANUFACTURING. MUST BE RETURNED TO DANIELS MANUFACTURING CORP. ON COMPLETION OF ORDER OR OTHER PURPOSE FOR WHICH LENT.

**DO NOT SCALE DRAWING**

|   |               |   |                     |
|---|---------------|---|---------------------|
| DRN. A. MOO-YOUNG   | DATE 10-17-01 | TITLE ENVELOPE DRAWING POSITIONER                             |                     |
| CHK'D. RRR  | DATE 10-17-01 | WHERE USED: AFMB  | CAD P/N K778-2-ENV  |
| APP'D.  | DATE          | SIZE A  | SHEET 1 OF 1        |
| APP'D.  | DATE          | SCALE NTS   | DWG. NO. K778-2-ENV |
| NOTE: THIS DRAWING IS AN OUTLINE DRAWING OF THE RESPECTIVE DMG PART NUMBER INDICATED. ACTUAL DMG PART NUMBER IS DRAWING NUMBER WITHOUT THE "-ENV" SUFFIX. |               | POSTING   | REV. 1              |
|   |               | DANIELS MANUFACTURING CORP.<br>ORLANDO, FLORIDA<br>CAGE 11851 |                     |