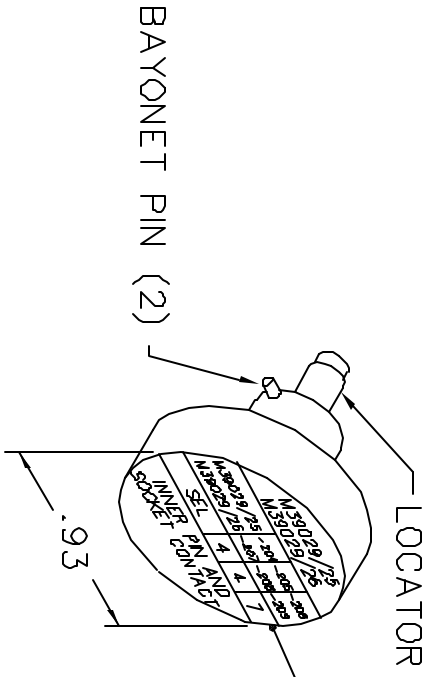
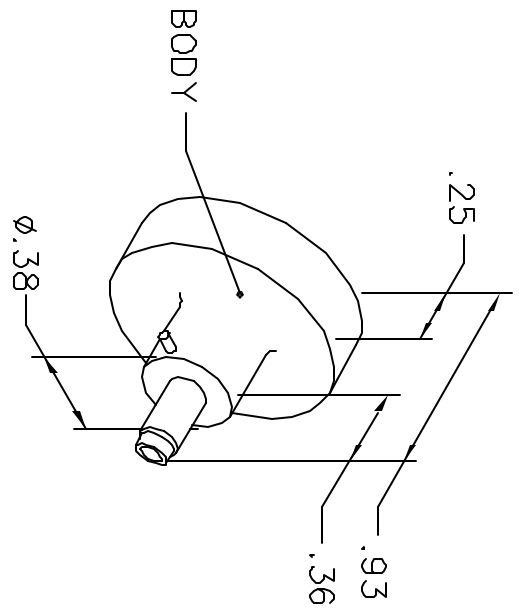


REVISIONS				
REV. SYM.	E.C.O. NUMBER	DESCRIPTION	BY DATE	APP'D DATE
1		ORIGINAL RELEASE	DH 10/7/88	JS 10/88

**UNCONTROLLED DOCUMENT  
WILL NOT BE UPDATED**



M39029/25			
M39029/26			
M39029/25	-204	-205	-206
M39029/26	-207	-208	-209
SEL	4	4	7

INNER PIN AND  
SOCKET CONTACT

NOTE: FOR USE WITH DANIELS CRIMP TOOLS  
ACCOMODATING "K" SERIES POSITIONNERS.

LOCATOR	ADDITIONAL FEATURES
HOLE DIMENSIONS	└┘ Ø.073
	└┘ .141
Ø.052	
└┘ .439	

**RESTRICTED & CONFIDENTIAL**

CONFIDENTIAL PROPERTY OF DANIELS MANUFACTURING CORP. NOT TO BE DISCLOSED TO OTHERS, REPRODUCED OR USED FOR ANY OTHER PURPOSE, EXCEPT AS AUTHORIZED IN WRITING BY DANIELS MANUFACTURING. MUST BE RETURNED TO DANIELS MANUFACTURING CORP. ON COMPLETION OF ORDER OR OTHER PURPOSE FOR WHICH LENT.

DO NOT SCALE DRAWING

DRN. DH	DATE	10/7/88		
CHKD. JS	DATE	10/10/88		
APP'D. AAM	DATE	10/10/88		
APP'D.	DATE			
<p style="text-align: center;">NOTE: THIS DRAWING IS AN OUTLINE DRAWING OF THE RESPECTIVE DMC PART NUMBER INDICATED. ACTUAL DMC PART NUMBER IS DRAWING NUMBER WITHOUT THE "-ENV" SUFFIX.</p>				
TITLE		<p style="text-align: center;">ENVELOPE DRAWING POSITIONNER</p>		
WHERE USED:		<p style="text-align: center;">CAD P/N: K496-ENV DWG. NO. K496-ENV</p>		
SIZE	SCALE	CAD P/N	SHEET	OF
A	NTS	K496-ENV	1	1
POSTING			REV.	
			1	1



DANIELS MANUFACTURING CORP.  
ORLANDO, FLORIDA  
CAGE 11851