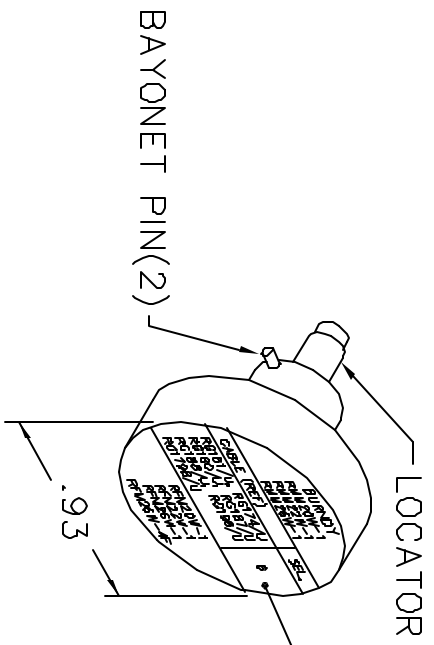
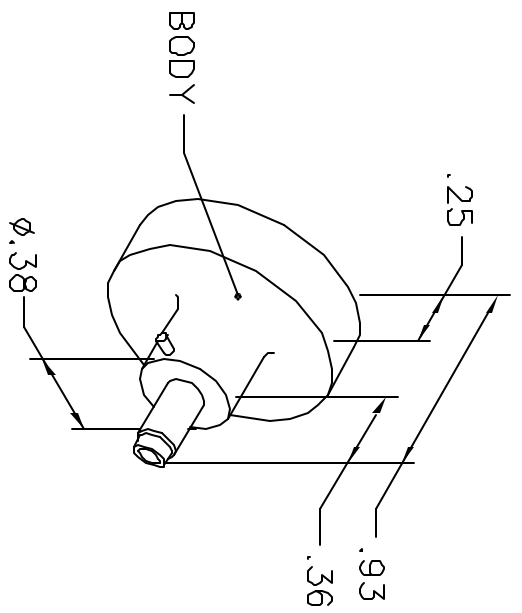


REVISIONS				
REV. SYM.	E.C.D. NUMBER	DESCRIPTION	BY DATE	APP'D DATE
1		ORIGINAL RELEASE	AAM 5-2-97	DE 5-2-97

**UNCONTROLLED DOCUMENT
WILL NOT BE UPDATED**



CABLE (REF)		SEL.
RG161/U, RG174/U		6
RG180/U, RG187/U		
RG188/U, RG196/U		
RG179B/U		
BURNDY		
RMM20W-1		
RMM22W-1		
RMM26W-1		
RFM20W-1		
RFM22W-1		
RFM26W-1		
RFM26W-4F		

NOTE: FOR USE WITH DANIELS CRIMP TOOLS
ACCOMMODATING "K" SERIES POSITIONERS

LOCATOR	ADDITIONAL FEATURES
HOLE DIMENSIONS	
φ.076	
φ.333	

RESTRICTED & CONFIDENTIAL

CONFIDENTIAL PROPERTY OF DANIELS MANUFACTURING CORP. NOT TO BE DISCLOSED TO OTHERS, REPRODUCED OR USED FOR ANY OTHER PURPOSE, EXCEPT AS AUTHORIZED IN WRITING BY DANIELS MANUFACTURING. MUST BE RETURNED TO DANIELS MANUFACTURING CORP. ON COMPLETION OF ORDER OR OTHER PURPOSE FOR WHICH LENT.

DO NOT SCALE DRAWING

DRN. A. MOO-YOUNG	DATE 5-2-97	TITLE	
CHKD. DE	DATE 5-2-97	ENVELOPE DRAWING POSITIONER	
APP'D.	DATE	WHERE USED: AAMB	
APP'D.	DATE	SIZE A	SCALE NTS
NOTE: THIS DRAWING IS AN OUTLINE DRAWING OF THE RESPECTIVE DMG PART NUMBER INDICATED. ACTUAL DMG PART NUMBER IS DRAWING NUMBER WITHOUT THE "-ENV" SUFFIX.		CAD P/N	K413-ENV
		DWG. NO.	K413-ENV
		SHEET 1	OF 1
		REV.	1

DMS DANIELS MANUFACTURING CORP.
ORLANDO, FLORIDA
CAGE 11851