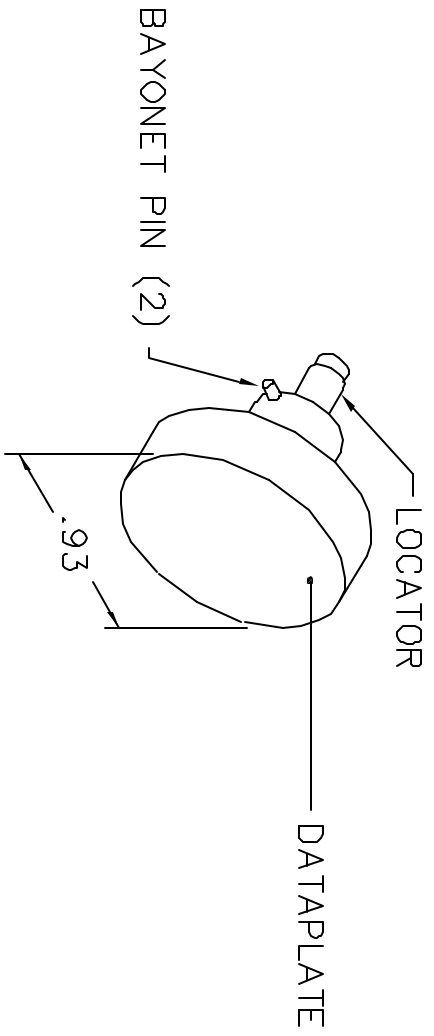
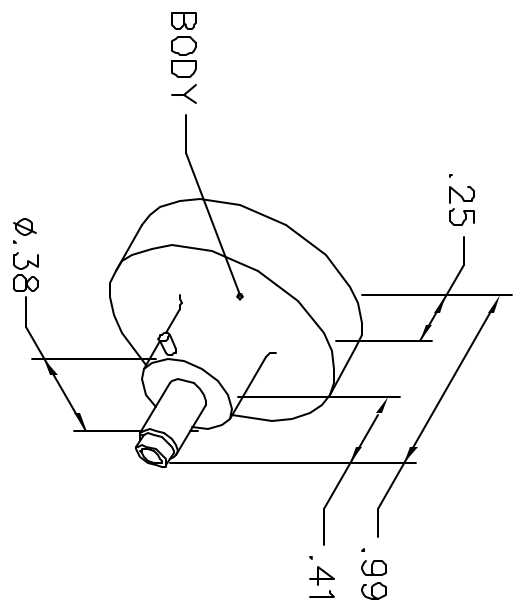


REVISIONS				
REV. SYM.	E.C.D. NUMBER	DESCRIPTION	BY DATE	APP'D DATE
1		ORIGINAL RELEASE	AAM 3/31/97	DE 3/97

**UNCONTROLLED DOCUMENT
WILL NOT BE UPDATED**



DEUTSCH				
WIRE	24	26	28	30
SEL.	4	3	2	1
	105867	109052	105868	109053
	109054		109055	

NOTE: FOR USE WITH DANIELS CRIMP TOOL, AFM8.

LOCATOR DESCRIPTION	ADDITIONAL FEATURES
HOLE DIMENSIONS	□ Ø.062
Ø.052	∓.10
∓.58 MIN.	

RESTRICTED & CONFIDENTIAL

CONFIDENTIAL PROPERTY OF DANIELS MANUFACTURING CORP. NOT TO BE DISCLOSED TO OTHERS, REPRODUCED OR USED FOR ANY OTHER PURPOSE, EXCEPT AS AUTHORIZED IN WRITING BY DANIELS MANUFACTURING. MUST BE RETURNED TO DANIELS MANUFACTURING CORP. ON COMPLETION OF ORDER OR OTHER PURPOSE FOR WHICH LENT.

DO NOT SCALE DRAWING

DRN.	AAM	DATE	3/31/97
CHK'D.	DE	DATE	3/97
APP'D.		DATE	
APP'D.		DATE	

NOTE: THIS DRAWING IS AN OUTLINE DRAWING OF THE RESPECTIVE DMC PART NUMBER INDICATED. ACTUAL DMC PART NUMBER IS DRAWING NUMBER WITHOUT THE "-ENV" SUFFIX.

WHERE USED:

SIZE	SCALE	CAD P/N	SHEET	OF
A	NTS	K269-ENV	1	1

DWG. NO. K269-ENV

REV. 1

DANIELS MANUFACTURING CORP.
ORLANDO, FLORIDA
CAGE 11851

POSITIONER
ENVELOPE DRAWING