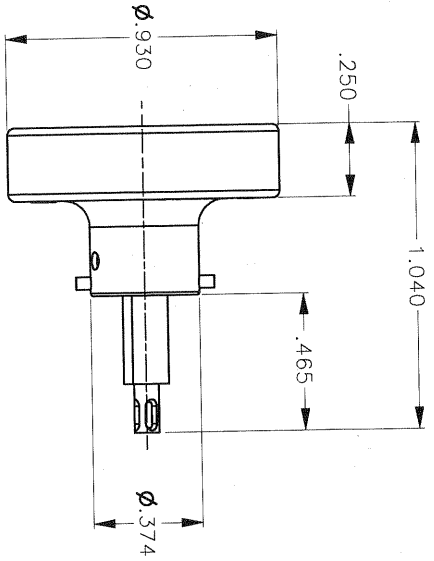


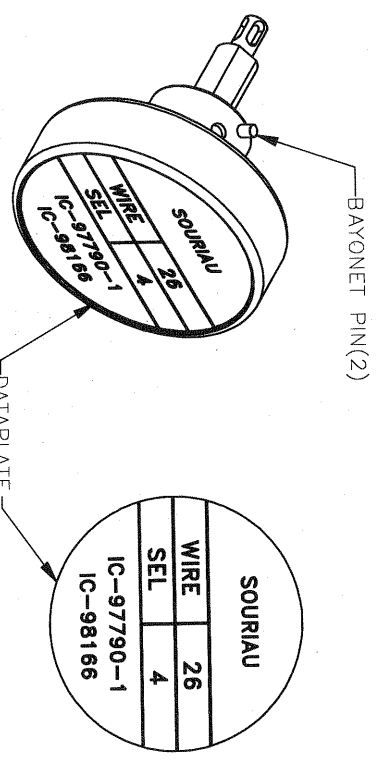
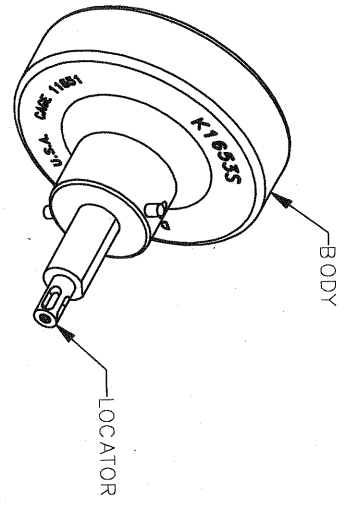
REVISONS		DESCRIPTION	BY	DATE	APP'D
REV	NO				
1	200220	ORIGINAL RELEASE		11-02-10	

**UNCONTROLLED DOCUMENT
WILL NOT BE UPDATED**

DIMENSIONS IN INCHES - UNLESS OTHERWISE SPECIFIED



LOCATOR	
HOLE DIMENSIONS	ADDITIONAL FEATURES
$\phi .034$ THRU	$\perp \phi .040$ V.170



RESTRICTED & CONFIDENTIAL		CONFIDENTIAL PROPERTY OF DANIELS MANUFACTURING CORP. NOT TO BE REPRODUCED OR DISCLOSED FOR ANY OTHER PURPOSE EXCEPT AS AUTHORIZED IN WRITING BY DANIELS MANUFACTURING. THIS DRAWING IS AN OUTLINE DRAWING OF THE RESPECTIVE PART NUMBER IS DRAWING NUMBER WITHOUT THE "-ENV" SUFFIX WHICH LENT.	
MATERIAL	FINISH	HEAT TREAT	HEAT TREAT
ITEM	PART NO.	QTY.	DESCRIPTION/REMARKS
DRG. No. 11-02-10	DATE		
CHK'D. DATE	DATE		
APP'D. DATE	DATE		
APP'D. DATE	DATE		
DMC DANIELS MANUFACTURING CORP. Ocala, Florida CASE 11651		POSITIONER ENVELOPE DRAWING	
WHERE USED:	SCALE:	CAD P/N:	SHEET
POSTING	2.5X	K16535-ENV	1
DWG No.		K16535-ENV	1

NOTE: FOR USE WITH DANIELS CRIMP TOOLS
ACCOMMODATING "K" SERIES POSITIONERS

DO NOT SCALE DRAWING