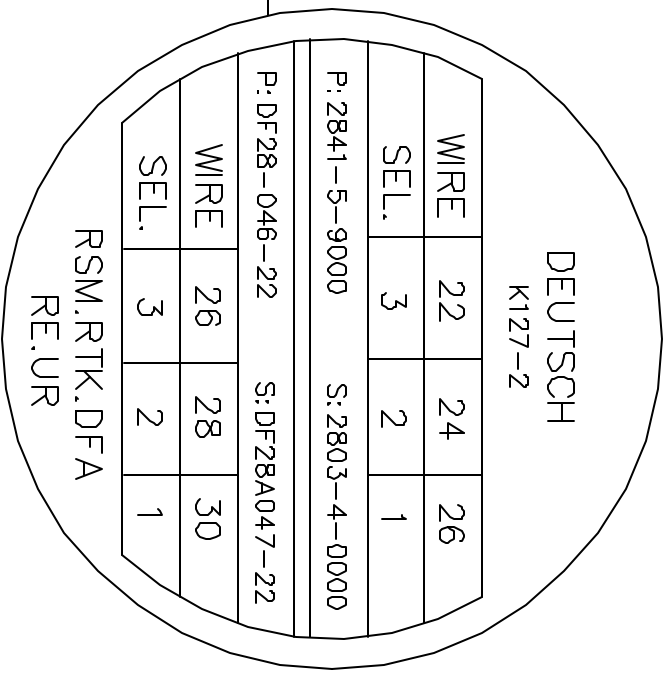
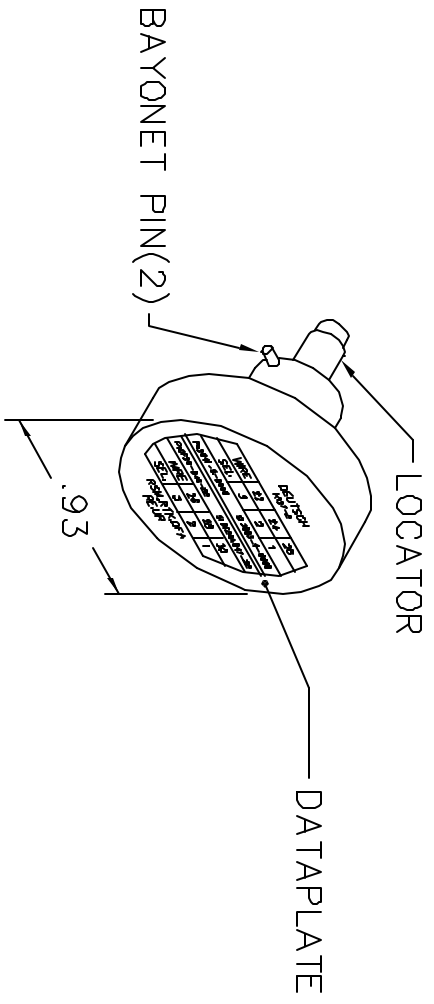
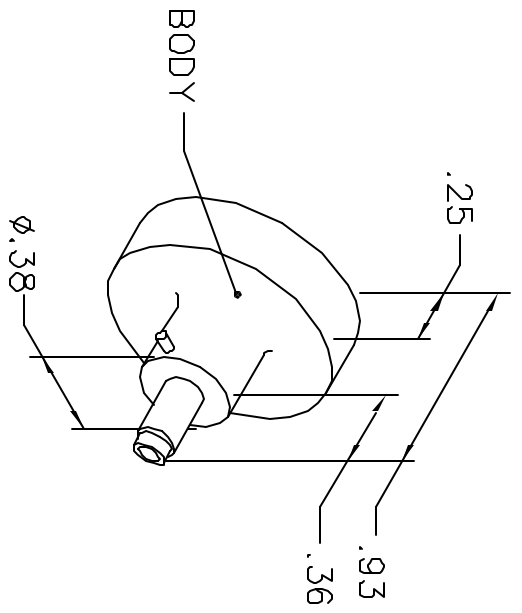


REVISIONS				
REV. SYM.	E.C.O.D. NUMBER	DESCRIPTION	BY DATE LGV	APP'D DATE PD
1		ORIGINAL RELEASE	7-22-91 LGV	7-22-91 PD

**UNCONTROLLED DOCUMENT
WILL NOT BE UPDATED**



NOTE: FOR USE WITH DANIELS CRIMP TOOL, AFM8.

LOCATOR	ADDITIONAL FEATURES
HOLE DIMENSIONS	∅.052
	∅.430
	∟ ∅.062
	∅.100

RESTRICTED & CONFIDENTIAL

CONFIDENTIAL PROPERTY OF DANIELS MANUFACTURING CORP. NOT TO BE DISCLOSED TO OTHERS, REPRODUCED OR USED FOR ANY OTHER PURPOSE, EXCEPT AS AUTHORIZED IN WRITING BY DANIELS MANUFACTURING. MUST BE RETURNED TO DANIELS MANUFACTURING CORP. ON COMPLETION OF ORDER OR OTHER PURPOSE FOR WHICH LENT.

DO NOT SCALE DRAWING

DRN.	LGV	DATE
CHK'D.	PD	DATE
APP'D.		DATE
APP'D.		DATE

AFM8 DANIELS MANUFACTURING CORP.
ORLANDO, FLORIDA
CAGE 11851

TITLE: ENVELOPE DRAWING POSITIONER

WHERE USED: AFM8

SIZE	SCALE	GAD P/N	SHEET	OF
A	NTS	K127-2-ENV	1	1
POSTING		P/N	REV.	
		K127-2-ENV	1	