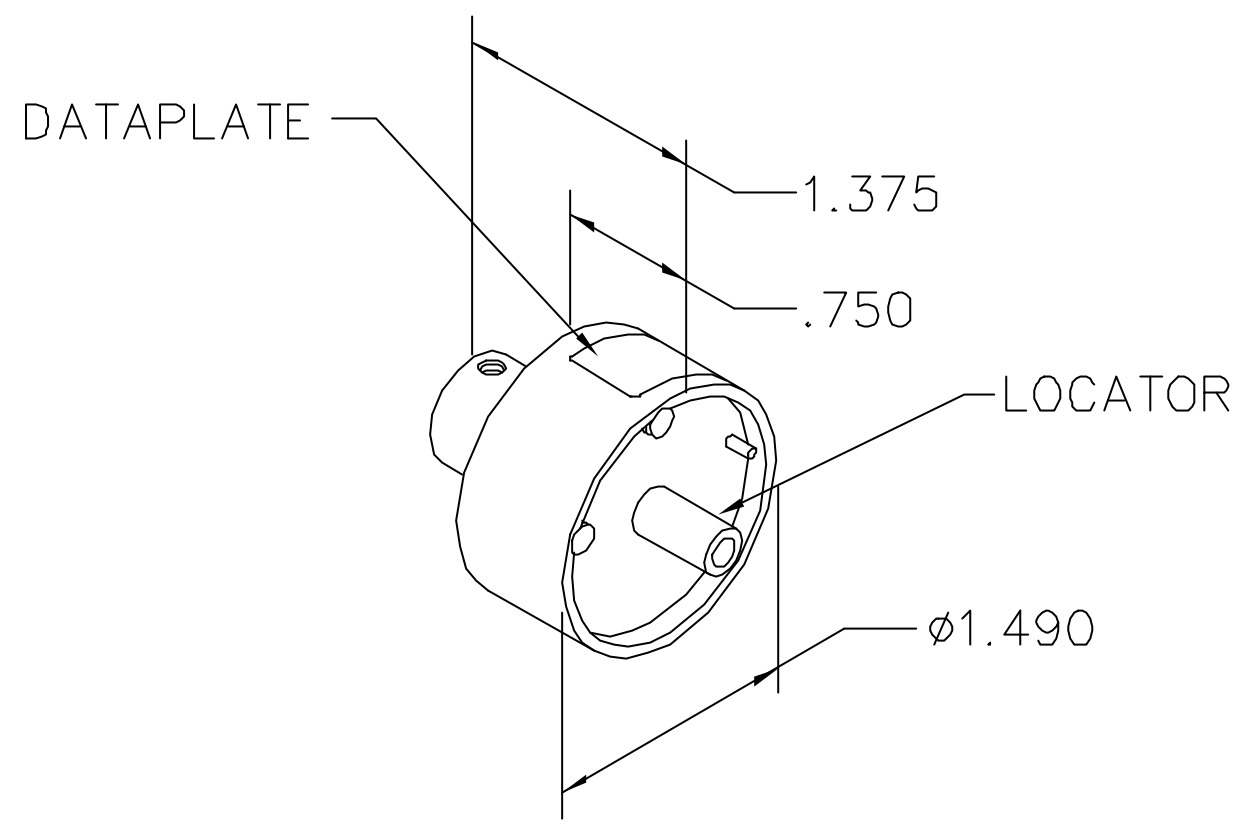


| REVISIONS | | | | |
|-----------|---------------|------------------|---------------|---------------|
| REV. SYM. | E.C.O. NUMBER | DESCRIPTION | BY DATE | APP'D DATE |
| 1 | | ORIGINAL RELEASE | AAM 9-1-00 | RRR 9-1-00 |

**UNCONTROLLED DOCUMENT
WILL NOT BE UPDATED**



| | |
|---|------------------------------|
| BENDIX CONTACT LJT-R SIZE 10 21-33844 | USE WITH GS208 CRIMP TOOL |
|---|------------------------------|

DATAPLATE

| LOCATOR | |
|------------------------------|------------------------------|
| HOLE DIMENSIONS | ADDITIONAL FEATURES |
| $\phi .216$ $\nabla .841$ | $\phi .246$ $\nabla .285$ |

RESTRICTED & CONFIDENTIAL

CONFIDENTIAL PROPERTY OF DANIELS MANUFACTURING CORP. NOT TO BE DISCLOSED TO OTHERS, REPRODUCED OR USED FOR ANY OTHER PURPOSE, EXCEPT AS AUTHORIZED IN WRITING BY DANIELS MANUFACTURING. MUST BE RETURNED TO DANIELS MANUFACTURING CORP. ON COMPLETION OF ORDER OR OTHER PURPOSE FOR WHICH LENT.

DO NOT SCALE DRAWING

| | |
|---|----------------|
| DRN. A. MOO-YOUNG | DATE 9-1-00 |
| CHK'D. RRR | DATE 9-1-00 |
| APP'D. | DATE |
| APP'D. | DATE |
| NOTE: THIS DRAWING IS AN OUTLINE DRAWING OF THE RESPECTIVE DMC PART NUMBER INDICATED. ACTUAL DMC PART NUMBER IS DRAWING NUMBER WITHOUT THE "-ENV" SUFFIX. | |

| | |
|--|-----------------------|
| DANIELS MANUFACTURING CORP. ORLANDO, FLORIDA CAGE 11851 | |
| TITLE ENVELOPE DRAWING SINGLE POSITION HEAD | |
| WHERE USED: GS208 | |
| SIZE A | SCALE NTS |
| CAD P/N GP780-ENV | SHEET 1 OF 1 |
| POSTING | DWG. NO. GP780-ENV |
| | REV. 1 |