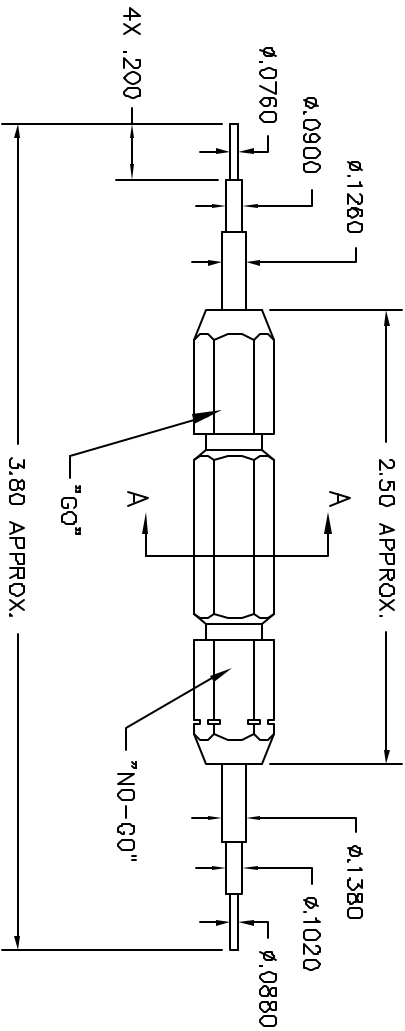


"DO NOT CRIMP"  
"GAGE"  
"DANIELS-USA G931"



SECTION A-A



**UNCONTROLLED DOCUMENT  
WILL NOT BE UPDATED**

REVISIONS			
REV. NUMBER	DESCRIPTION	BY DATE	APP'D DATE
1	ORIGINAL RELEASE	5/22/01	5/22/01

<b>RESTRICTED &amp; CONFIDENTIAL</b>		MATERIAL		ITEM		PART NO.		QTY.		DESCRIPTION/REMARKS	
CONVENTIONAL PROPERTY OF DANIELS MANUFACTURING CORP. NOT TO BE DISCLOSED TO OTHERS, REPRODUCED OR USED FOR ANY OTHER PURPOSE EXCEPT AS AUTHORIZED IN WRITING BY DANIELS MANUFACTURING CORP. MUST BE RETURNED TO DANIELS MANUFACTURING CORP. ON COMPLETION OF ORDER OR OTHER PURPOSE FOR WHICH INTENT.		HEAT TREAT		DATE		DATE		DATE		<b>Daniel's</b> DANIELS MANUFACTURING CORP. ORLANDO, FLORIDA CASE 17897	
		FINISH		DATE		DATE		DATE			
DO NOT SCALE DRAWING		FINISH		DATE		DATE		DATE		TITLE GO/NO-GO GAGE ENVELOPE DRAWING	
DO NOT SCALE DRAWING		FINISH		DATE		DATE		DATE		WIRE USED: DCT4-102 SIZE SCALE: B NTS POSTING: P/M G931-ENV	
DO NOT SCALE DRAWING		FINISH		DATE		DATE		DATE		SHEET 1 OF 1 REV 1	