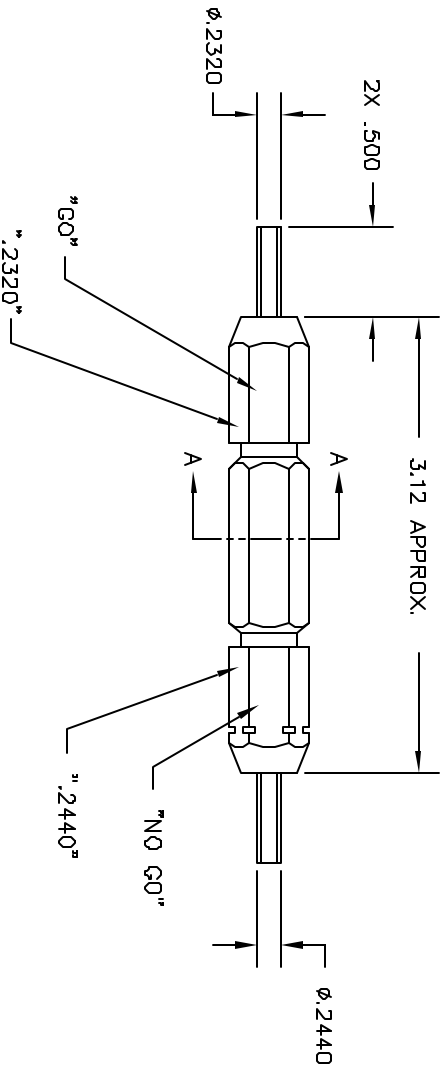


REV.		E/CDL NUMBER		DESCRIPTION		BY DATE	APP'D DATE
1				ORIGINAL RELEASE		4/29/05	4/29/05

"DO NOT CRIMP"
"GAGE"
"DANIELS-USA G929"

SECTION A-A



UNCONTROLLED DOCUMENT
WILL NOT BE UPDATED

RESTRICTED & CONFIDENTIAL		MATERIAL		ITEM		PART NO.		QTY.		DESCRIPTION/REMARKS	
CONFIDENTIAL PROPERTY OF DANIELS MANUFACTURING CORP. NOT TO BE REPRODUCED OR TRANSMITTED IN ANY FORM OR BY ANY MEANS, ELECTRONIC OR MECHANICAL, INCLUDING PHOTOCOPYING, RECORDING, OR BY ANY INFORMATION STORAGE AND RETRIEVAL SYSTEM, WITHOUT PERMISSION IN WRITING BY DANIELS MANUFACTURING. THIS DRAWING IS AN OUTLINE DRAWING OF THE RESPECTIVE PART NUMBER AND IS NOT TO BE USED FOR FABRICATION OR CONSTRUCTION OF PARTS WHICH ENVI.		HEAT TREAT		DRG. J. JOYCE		DATE 7/29/05		TITLE		Daniel's Manufacturing Corp. DANIELS MANUFACTURING CORP. ORLANDO, FLORIDA CASE 11851	
		FINISH		CHDR. RRR		DATE 4/29/05		G0/ND-G0 GAGE ENVELOPE DRAWING			
DO NOT SCALE DRAWING				APPR. DATE		DATE		WHERE USED		DWG NO. G929-ENV	
				NOTE: THIS DRAWING IS AN OUTLINE DRAWING OF THE RESPECTIVE PART NUMBER AND IS NOT TO BE USED FOR FABRICATION OR CONSTRUCTION OF PARTS WHICH ENVI.				SCALE NTS		SHEET 1 OF 1	
								POSTING		REV. 1	