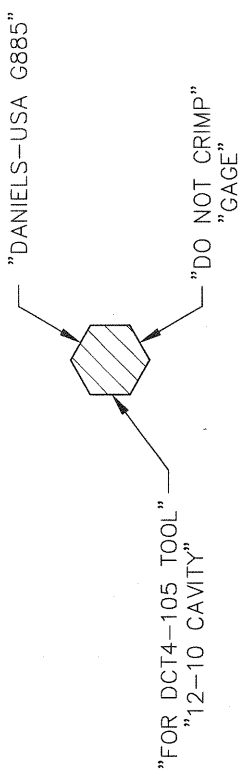


REV. SYM.		E.C.O. NUMBER		DESCRIPTION		BY DATE		APPD DATE	
1				ORIGINAL RELEASE		JAN	7/29/00	JAN	7/29/00

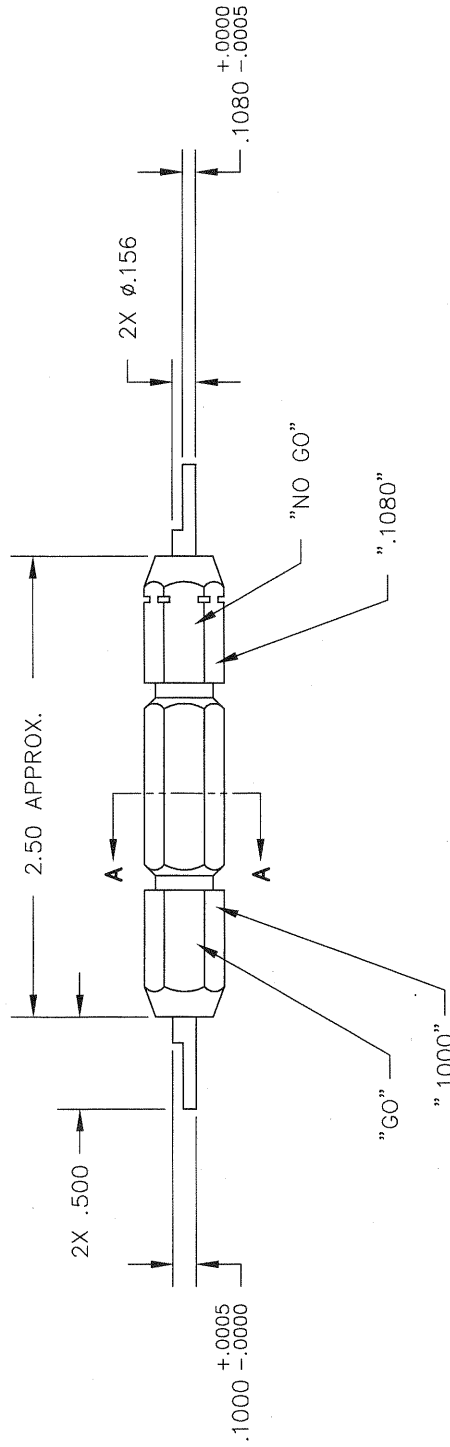
REVISIONS	
DESCRIPTION	BY DATE
ORIGINAL RELEASE	JAN 7/29/00

**UNCONTROLLED DOCUMENT  
WILL NOT BE UPDATED**

DIMENSIONS IN INCHES - UNLESS OTHERWISE SPECIFIED



**SECTION A-A**



RESTRICTED & CONFIDENTIAL		MATERIAL		ITEM		PART NO.		QTY.		DESCRIPTION/REMARKS	
CONFIDENTIAL PROPERTY OF DANIELS MANUFACTURING CORP. NOT TO BE REPRODUCED OR USED FOR ANY OTHER PURPOSE EXCEPT AS AUTHORIZED IN WRITING BY DANIELS MANUFACTURING. MUST BE RETURNED TO DANIELS MANUFACTURING CORP. ON COMPLETION OF ORDER WHICH EMPLOYER FOR WHICH LEFT.		FINISH		DRN. J. JOYCE CHKD. RRR APPD.		DATE 7/29/00 DATE 7/29/00 DATE		DATE 7/29/00 DATE 7/29/00 DATE		DANIELS MANUFACTURING CORP. ORLANDO, FLORIDA GAGE 11681	
						THIS DRAWING IS AN OUTLINE DRAWING OF THE RESPECTIVE DIMS PART NUMBER. PART NUMBER IS DRAWING NUMBER WITHOUT THE "-ENV" SUFFIX.		WHERE USED: SIZE B SCALE NTS POSTING		CAD P/N G885-ENV DWG. NO. G885-ENV	
DO NOT SCALE DRAWING										GO/NO-GO GAGE ENVELOPE DRAWING	