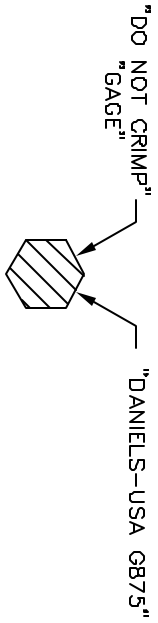
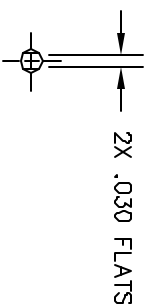
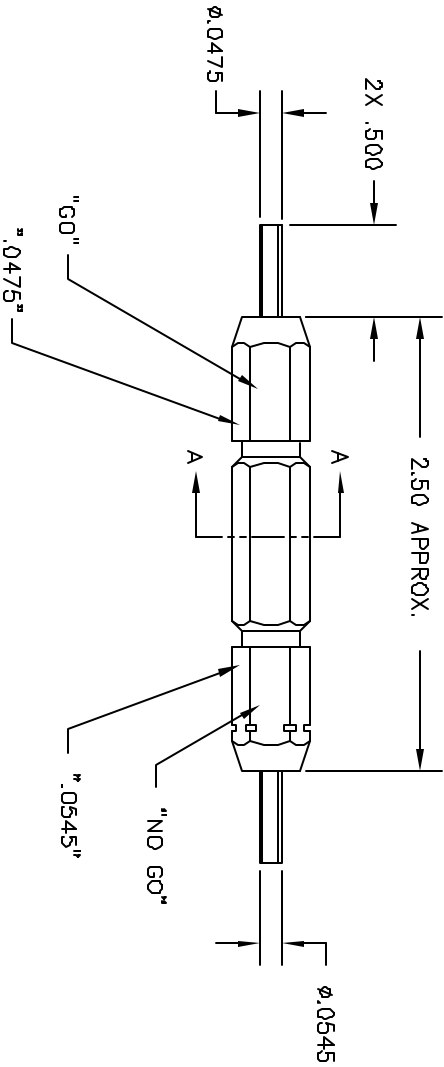


REVISIONS			
REV.	NO.	DESCRIPTION	DATE
1		ORIGINAL RELEASE	12/29/02



SECTION A-A



**UNCONTROLLED DOCUMENT
WILL NOT BE UPDATED**

RESTRICTED & CONFIDENTIAL		MATERIAL		ITEM		PART NO.		QTY.		DESCRIPTION/REMARKS	
CONFIDENTIAL PROPERTY OF DANIELS MANUFACTURING CORP. NOT TO BE REPRODUCED OR USED FOR ANY OTHER PURPOSE EXCEPT AS AUTHORIZED IN WRITING BY DANIELS MANUFACTURING. MUST BE RETURNED TO DANIELS MANUFACTURING OR OTHER PURCHASER OF ORDER WHICH LENT.		HEAT TREAT		DRN J. JOYCE		DATE 12/2/02				Daniel's DANIELS MANUFACTURING CORP. ORLANDO, FLORIDA CASE 11851	
		FINISH		RRR		DATE 12/4/02					
DO NOT SCALE DRAWING				APPRO		DATE		TITLE		G0/NO-G0 GAGE ENVELOPE DRAWING	
				APPRO		DATE		WHILE USING		CND P/N	
				DATE				SIZE		SHEET	
				DATE				SCALE		OF	
				DATE				FINISH		REV	
				DATE				P/N		1	
				DATE				G875-ENV		1	
				DATE				G875-ENV		1	