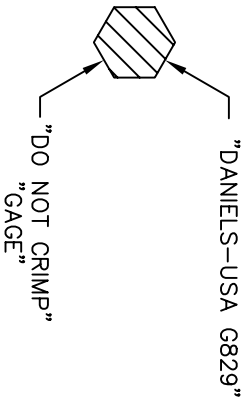
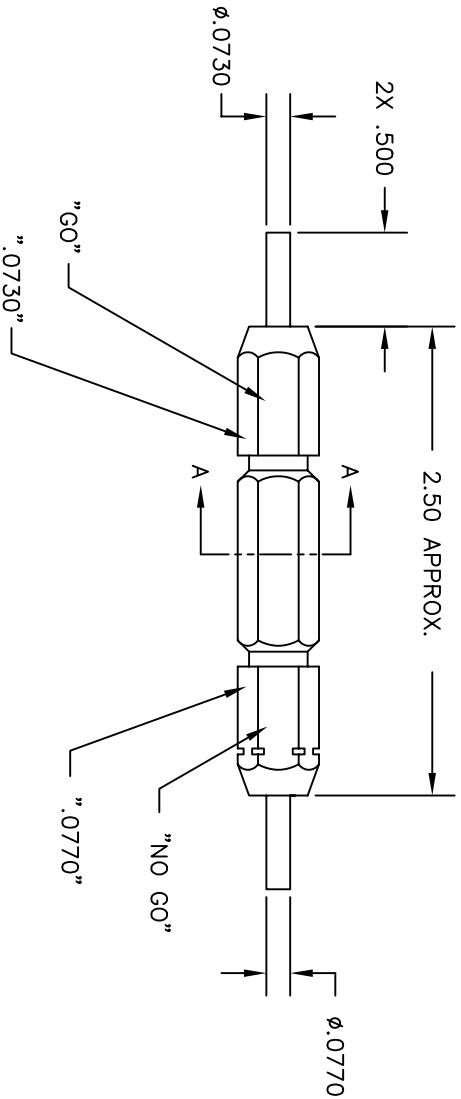


REVISIONS				
REV. SYM.	E.C.O. NUMBER	DESCRIPTION	BY DATE	APP'D DATE
1		ORIGINAL RELEASE	JMD 9/13/01	RRR 9/13/01



SECTION A-A



**UNCONTROLLED DOCUMENT  
WILL NOT BE UPDATED**

RESTRICTED & CONFIDENTIAL		MATERIAL		ITEM		PART NO.		QTY.		DESCRIPTION/REMARKS		
CONFIDENTIAL PROPERTY OF DANIELS MANUFACTURING CORP. NOT TO BE DISCLOSED TO OTHERS, REPRODUCED OR USED FOR ANY OTHER PURPOSE, EXCEPT AS AUTHORIZED IN WRITING BY DANIELS MANUFACTURING CORP. ON COMPLETION OF ORDER OR OTHER PURPOSE FOR WHICH LENT.		FINISH		DRN.	J. JOYCE	DATE	8/13/01		DANIELS MANUFACTURING CORP. ORLANDO, FLORIDA CAGE 11851			
				CHK'D.	RRR	DATE	8/13/01					
DO NOT SCALE DRAWING		HEAT TREAT		APP'D.		DATE		WHERE USED: SIZE B SCALE NTS POSTING		CAD P/N	G829-ENV	SHEET 1 OF 1
				APP'D.		DATE		DMC NO	G829-ENV	REV.	1	
NOTE: THIS DRAWING IS AN OUTLINE DRAWING OF THE RESPECTIVE DMC PART NUMBER. THE DMC PART NUMBER IS DRAWING NUMBER WITHOUT THE "-ENV" SUFFIX.												