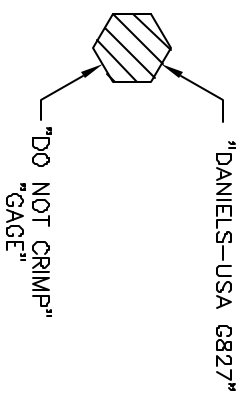
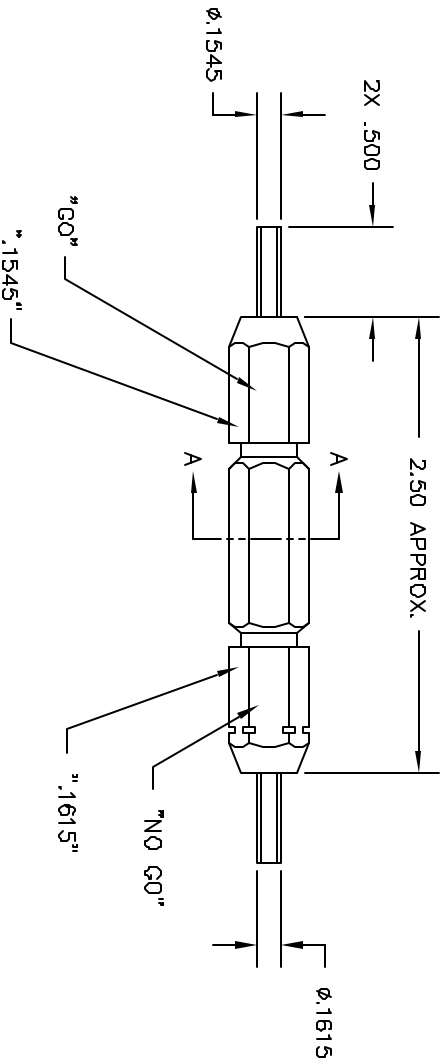


REVISIONS			
REV. NO.	DESCRIPTION	BY DATE	APP'D DATE
1	ORIGINAL RELEASE	9/2/04	9/2/04



SECTION A-A



**UNCONTROLLED DOCUMENT
WILL NOT BE UPDATED**

RESTRICTED & CONFIDENTIAL CONFIDENTIAL PROPERTY OF DANIELS MANUFACTURING CORP. NOT TO BE REPRODUCED OR TRANSMITTED IN ANY FORM OR BY ANY MEANS, ELECTRONIC OR MECHANICAL, INCLUDING PHOTOCOPYING, RECORDING, OR BY ANY INFORMATION STORAGE AND RETRIEVAL SYSTEM, WITHOUT PERMISSION IN WRITING BY DANIELS MANUFACTURING CORP. THIS DRAWING IS THE PROPERTY OF DANIELS MANUFACTURING CORP. ALL RIGHTS RESERVED. WHICH ENTITLES THE COMPANY TO REPRODUCE AND USE THE SAME IN WHATEVER MANNER IT DEEMES APPROPRIATE.		MATERIAL	ITEM	PART NO.	QTY.	DESCRIPTION/REMARKS
HEAT TREAT	DRG. J. JOYCE CHK'D. RRR	DATE DATE	DATE DATE			DANIELS MANUFACTURING CORP. ORLANDO, FLORIDA CASE 11851
FINISH	APPRO. DATE	DATE	DATE			G0 /NO-G0 GAGE ENVELOPE DRAWING
DO NOT SCALE DRAWING	NOTE: THIS DRAWING IS AN OUTLINE DRAWING OF THE RESPECTIVE DIM PART NUMBER INDICATED. THE "ENV" SUFFIX INDICATES AN ENVIRONMENTAL DRAWING.		WHERE USED SIZE SCALE POSTING		ENV P/N SHEET OF G827-ENV 1 1	
						ENV P/N SHEET OF G827-ENV 1 1