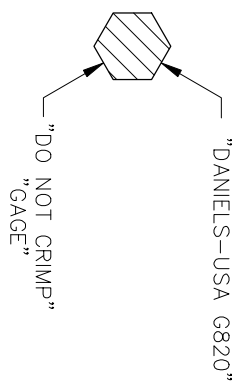
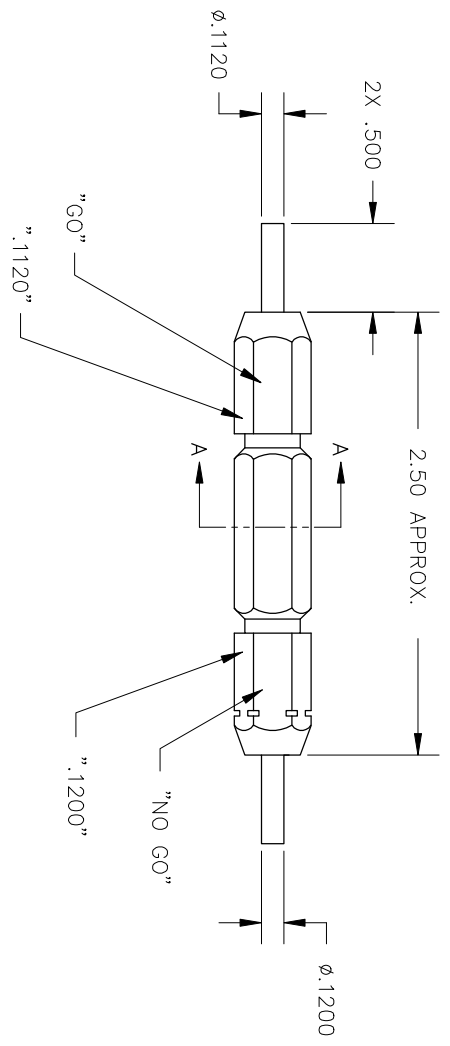


REVISIONS				
REV. NUMBER	E.C.O. NUMBER	DESCRIPTION	BY DATE	APP'D DATE
1		ORIGINAL RELEASE	JUN 10/12/00	RRR 10/12/00



SECTION A-A



RESTRICTED & CONFIDENTIAL		MATERIAL		ITEM		PART NO.		QTY.		DESCRIPTION/REMARKS	
CONCEPTUAL PROPERTY OF DANIELS MANUFACTURING CORP. NOT TO BE DISCLOSED TO OTHERS, REPRODUCED OR USED FOR ANY OTHER PURPOSE. EXCEPT AS AUTHORIZED IN WRITING MUST BE RETURNED TO DANIELS MANUFACTURING CORP. ON COMPLETION OF ORDER OR OTHER PURPOSE FOR WHICH INTL.		HEAT TREAT		DRN. J. JOYCE	DATE 10/12/00	DANIELS MANUFACTURING CORP. ORLANDO, FLORIDA		DANIELS MANUFACTURING CORP. ORLANDO, FLORIDA		G820-ENV	
		FINISH		CHK'D. RRR	DATE 10/12/00	G820-ENV		G820-ENV		G820-ENV	
DO NOT SCALE DRAWING		NOTE:		APP'D.	DATE	WHERE USED:		CAD P/N		SHEET 1 OF 1	
		THIS DRAWING IS AN OUTLINE DRAWING OF THE RESPECTIVE DMG PART NUMBER AND THE PART NUMBER IS DRAWING NUMBER WITHOUT THE "-ENV" SUFFIX.		APP'D.	DATE	G820-ENV		G820-ENV		REV. 1	