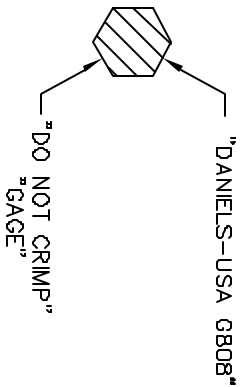
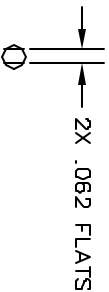
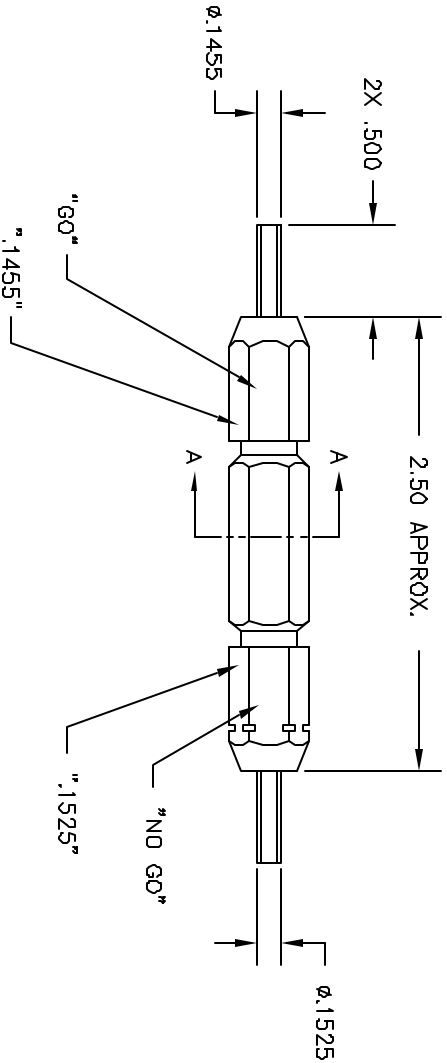


REV.	EQ'D. NUMBER	DESCRIPTION	BY DATE	APP'D DATE
1		ORIGINAL RELEASE	11/12/02	11/12/02



SECTION A-A



**UNCONTROLLED DOCUMENT
WILL NOT BE UPDATED**

RESTRICTED & CONFIDENTIAL		ITEM	PART NO.	QTY.	DESCRIPTION/REMARKS
CONFIDENTIAL PROPERTY OF DANIELS MANUFACTURING CORP. NOT TO BE REPRODUCED OR USED IN ANY MANNER WITHOUT THE EXPRESS WRITING OF DANIELS MANUFACTURING CORP. ALL RIGHTS RESERVED. THIS DRAWING IS THE PROPERTY OF DANIELS MANUFACTURING CORP. IT IS TO BE RETURNED TO DANIELS MANUFACTURING CORP. UPON REQUEST. NO OTHER RIGHTS ARE GRANTED FOR WHICH LICENSE.		DESG. J. JOYCE DATE 11/12/02 APP'D. RRR DATE 11/12/02 APP'D. _____ DATE _____			Daniel's Manufacturing Corp. DANIELS MANUFACTURING CORP. ORLANDO, FLORIDA CASE 11851
MATERIAL: FINISH: HEAT TREAT:		TITLE: G0/ND-G0 GAGE ENVELOPE DRAWING WEIGHT US200 SIZE: B SCALE: NTS FINISH: RSTING			
DO NOT SCALE DRAWING		CAD P/N: G808-ENV		SHEET: 1	OF: 1
		G808-ENV		REV: 1	