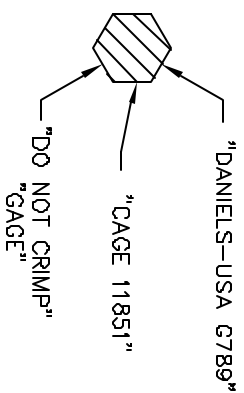
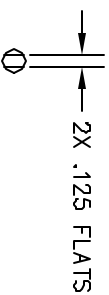
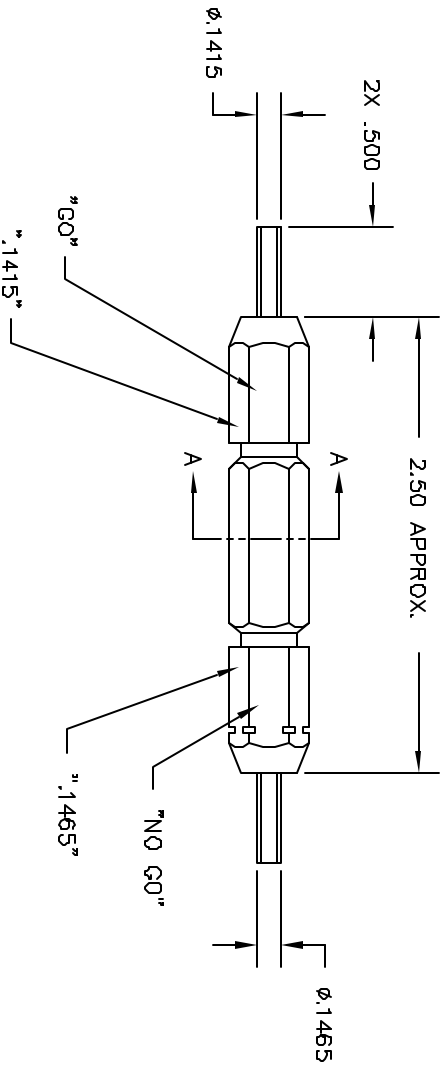


REV.		E/CDL		DESCRIPTION		BY	DATE	APP'D	DATE
NO.	STA.	NO.	NO.						
1				ORIGINAL RELEASE			4/1/83		4/1/83



SECTION A-A



UNCONTROLLED DOCUMENT
WILL NOT BE UPDATED

RESTRICTED & CONFIDENTIAL		MATERIAL		ITEM		PART NO.		QTY.		DESCRIPTION/REMARKS		
CONFIDENTIAL PROPERTY OF DANIELS MANUFACTURING CORP. NOT TO BE REPRODUCED OR TRANSMITTED IN ANY FORM OR BY ANY MEANS, ELECTRONIC OR MECHANICAL, INCLUDING PHOTOCOPYING, RECORDING, OR BY ANY INFORMATION STORAGE AND RETRIEVAL SYSTEM, WITHOUT PERMISSION IN WRITING BY DANIELS MANUFACTURING. THIS DRAWING IS AN OUTLINE DRAWING OF THE RESPECTIVE PART NUMBER AND IS NOT TO BE USED FOR FABRICATION OR REPRODUCTION OF OTHER PARTS UNDER THIS WHICH ENT.		HEAT TREAT		DRG. J. JOYCE	DATE	DATE	DATE					
		FINISH		CHDR.	RRR	DATE	DATE					
DO NOT SCALE DRAWING				NOTE: THIS DRAWING IS AN OUTLINE DRAWING OF THE RESPECTIVE PART NUMBER AND IS NOT TO BE USED FOR FABRICATION OR REPRODUCTION OF OTHER PARTS UNDER THIS WHICH ENT.		WHERE USED: SIZE SCALE POSTING		GND P/N G789-ENVY		SHEET 1 OF 1 REV. 1		
				TITLE DANIELS MANUFACTURING CORP. DANIELS MANUFACTURING CORP. ORLANDO, FLORIDA CAGE 11851		G0/ND-G0 CAGE ENVELOPE DRAWING		GND P/N G789-ENVY		SHEET 1 OF 1 REV. 1		