

USERS MUST ENSURE CORRECT REVISION

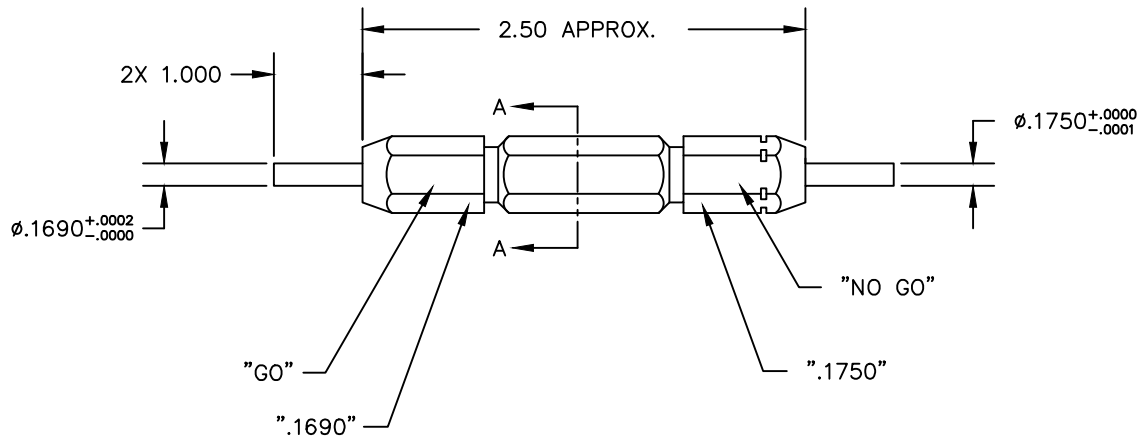
| REVISIONS |               |                  |                |                |
|-----------|---------------|------------------|----------------|----------------|
| REV. SYM. | E.C.O. NUMBER | DESCRIPTION      | BY DATE        | APP'D DATE     |
| 1         |               | ORIGINAL RELEASE | JWJ<br>5/22/06 | RRR<br>5/22/06 |

"DO NOT CRIMP"  
"GAGE"

"DANIELS-USA G654"



SECTION A-A



**UNCONTROLLED DOCUMENT  
WILL NOT BE UPDATED**

|  |            |  |          |             |   |
|--|------------|--|----------|-------------|---|
| <p><b>RESTRICTED &amp; CONFIDENTIAL</b></p> <p>CONFIDENTIAL PROPERTY OF DANIELS MANUFACTURING CORP. NOT TO BE DISCLOSED TO OTHERS, REPRODUCED OR USED FOR ANY OTHER PURPOSE, EXCEPT AS AUTHORIZED IN WRITING BY DANIELS MANUFACTURING. MUST BE RETURNED TO DANIELS MANUFACTURING CORP. ON COMPLETION OF ORDER OR OTHER PURPOSE FOR WHICH LENT.</p> | MATERIAL   | ITEM   | PART NO. | QTY.        | DESCRIPTION/REMARKS   |
|  | HEAT TREAT | DRN.   | J. JOYCE | DATE        | 5/22/06   |
|  |            | CHK'D.   | RRR      | DATE        | 5/22/06   |
|  | FINISH     | APP'D.   |          | DATE        |   |
| APP'D.   |            |  | DATE     |             |   |
| DO NOT SCALE DRAWING   |            | NOTE:<br>THIS DRAWING IS AN OUTLINE DRAWING OF THE RESPECTIVE DMC PART NUMBER INDICATED. ACTUAL DMC PART NUMBER IS DRAWING NUMBER WITHOUT THE "-ENV" SUFFIX. |          | WHERE USED: | <p>SIZE B</p> <p>SCALE NTS</p> <p>CAD P/N G654-ENV</p> <p>DWG. NO. G654-ENV</p> <p>SHEET 1 OF 1</p> <p>REV. 1</p> |