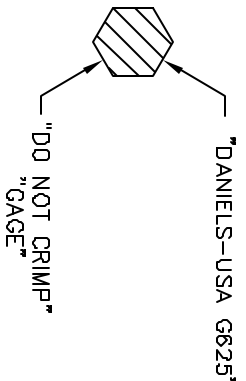
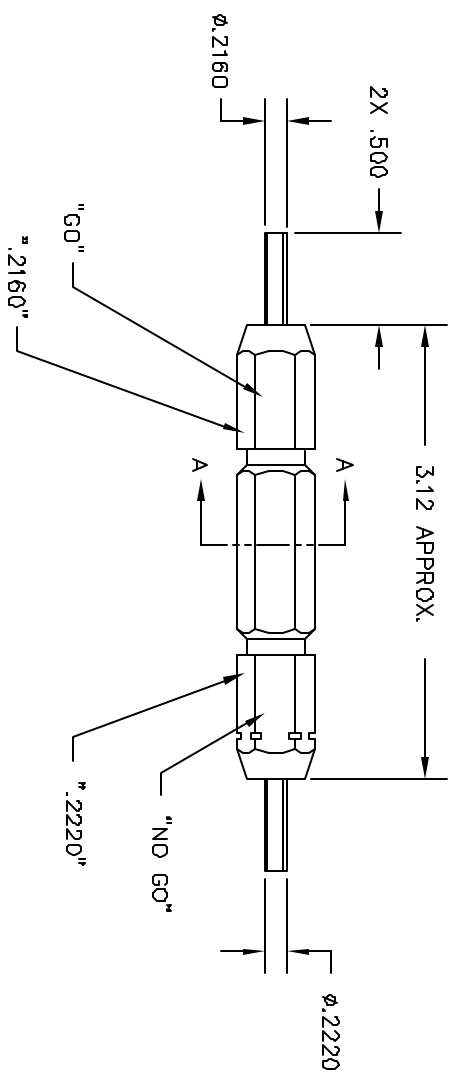


REVISIONS		REV.	DATE	BY	DATE	APP'D
1	ORIGINAL RELEASE	12/29/02			12/29/02	



SECTION A-A



**UNCONTROLLED DOCUMENT
WILL NOT BE UPDATED**

RESTRICTED & CONFIDENTIAL		MATERIAL		ITEM		PART NO.		QTY.		DESCRIPTION/REMARKS	
CONFIDENTIAL PROPERTY OF DANIELS MANUFACTURING CORP. NOT TO BE REPRODUCED OR USED FOR ANY OTHER PURPOSE EXCEPT AS AUTHORIZED IN WRITING BY DANIELS MANUFACTURING. MUST BE RETURNED TO DANIELS MANUFACTURING OR OTHER PURCHASER OF ORDER WHICH LENT.		HEAT TREAT		DRN J. JOYCE		DATE 12/29/02		DAVID RRR		DATE 12/29/02	
DO NOT SCALE DRAWING		FINISH		APPRO		DATE		TITLE		G0/NO-G0 GAGE ENVELOPE DRAWING	
				WHILE USING		SCALE		CAD P/N		SHEET 1 OF 1	
		P/N		G625-ENV		P/N		G625-ENV		REV 1	

