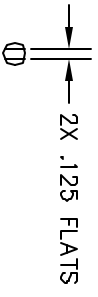
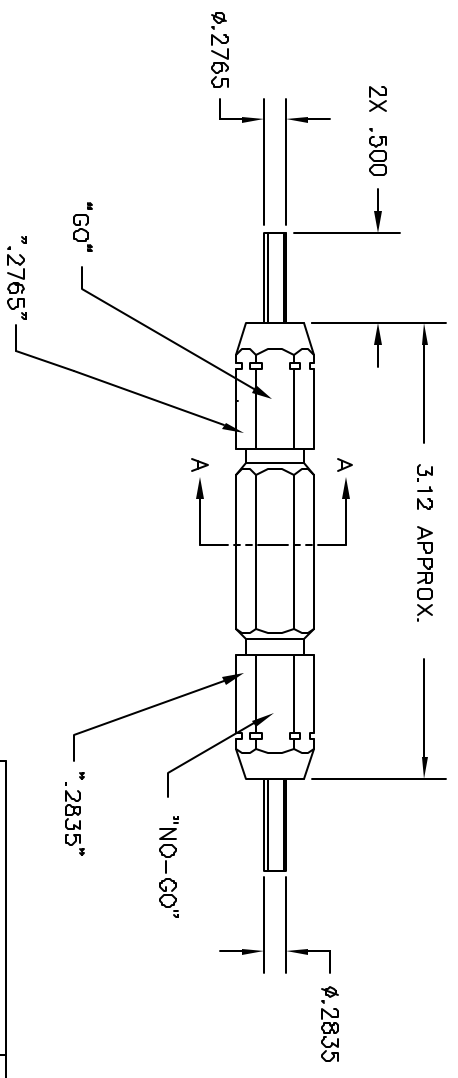


| REVISIONS |        |                  |        |
|-----------|--------|------------------|--------|
| REV. NO.  | DATE   | DESCRIPTION      | BY     |
| 1         | 7-1-98 | ORIGINAL RELEASE | 7-1-98 |

"DO NOT CRIMP"  
"GAGE"  
"DANIELS-USA G491"

SECTION A-A



**UNCONTROLLED DOCUMENT  
WILL NOT BE UPDATED**

| RESTRICTED & CONFIDENTIAL  |  | MATERIAL  |  | ITEM                  |  | PART NO.                         |  | QTY.                |  | DESCRIPTION/REMARKS                                     |  |
|--|--|---|--|-----------------------|--|----------------------------------|--|---------------------|--|---|--|
| CONFIDENTIAL PROPERTY OF DANIELS MANUFACTURING CORP. NOT TO BE DISCLOSED TO OTHERS. REPRODUCED WITHOUT THE WRITTEN PERMISSION OF DANIELS MANUFACTURING CORP. ON COMPLETION OF ORDER OR OTHER PURPOSE FOR WHICH MADE. |  | HEAT TREAT  |  | DRAWING NO. G491-ENV  |  | DATE 7-1-98                      |  | DRAWING DATE 7-1-98 |  | DANIELS MANUFACTURING CORP. ORLANDO, FLORIDA CASE 11851 |  |
| FINISH   |  | APPL. DATE  |  | TITLE                 |  | WHERE USED                       |  | DWD P/N             |  | SHEET 1 OF 1  |  |
| DO NOT SCALE DRAWING   |  | NOTE: THIS DRAWING IS AN OUTLINE DRAWING OF THE RESPECTIVE PART NUMBER IS DRAWING THE "ENV" SUFFIX. |  | INDICATED ACTUAL DIM. |  | GAGE/NO-GO GAGE ENVELOPE DRAWING |  | G491-ENV            |  | REV. 1  |  |