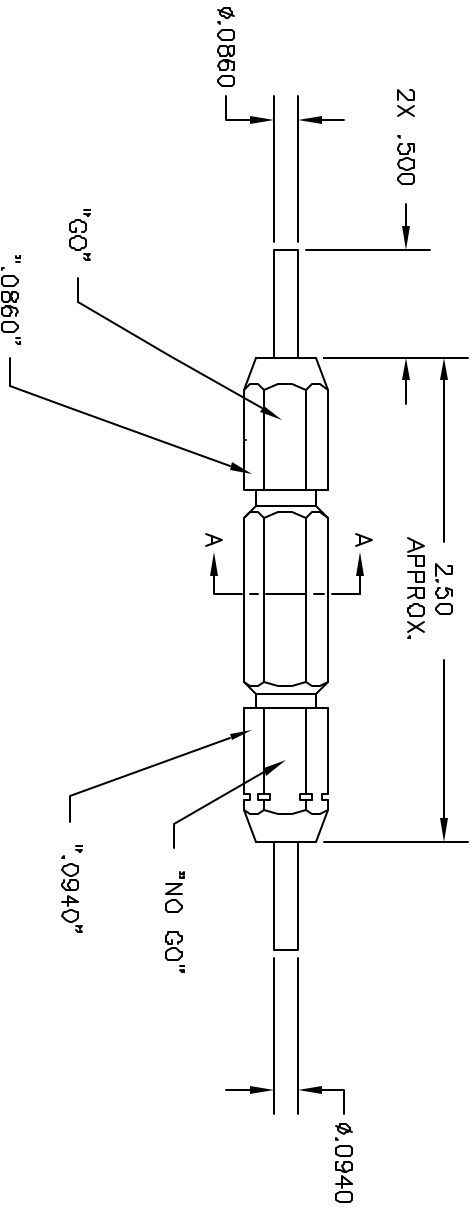
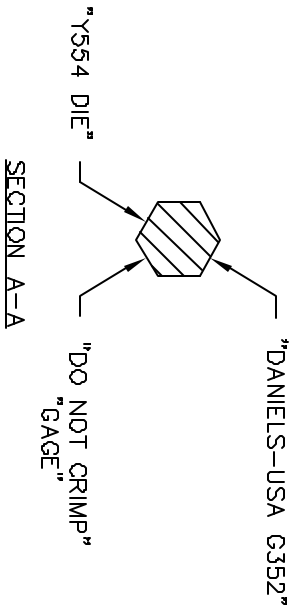


REVISIONS				
REV. STYL.	E.C.O. NUMBER	DESCRIPTION	BY DATE	APP'D DATE
1		ORIGINAL RELEASE	M.SCHUBERT 10/16/88	10/78



**UNCONTROLLED DOCUMENT
 WILL NOT BE UPDATED**

RESTRICTED & CONFIDENTIAL CONFIDENTIAL PROPERTY OF DANIELS MANUFACTURING CORP. NOT TO BE DISCLOSED TO OTHERS, REPRODUCED OR USED FOR ANY OTHER PURPOSE, EXCEPT AS AUTHORIZED IN WRITING BY DANIELS MANUFACTURING CORP. ON COMPLETION OF ORDER OR OTHER PURPOSE FOR WHICH SENT.		MATERIAL		ITEM		PART NO.		QTY.		DESCRIPTION/REMARKS	
HEAT TREAT		FINISH		DANIELS M. SCHUBERT 10/16/88		DE		DATE 10/78		DANIELS MANUFACTURING CORP. ORLANDO, FLORIDA GAGE 11857	
APPROV. DATE		APPROV. DATE		TITLE		WHERE USED		SCALE		SHEET 1 OF 1	
DO NOT SCALE DRAWING		DO NOT SCALE DRAWING		GO/NO-GO GAGE ENVELOPE DRAWING		G352-ENV		P/N		G352-ENV	