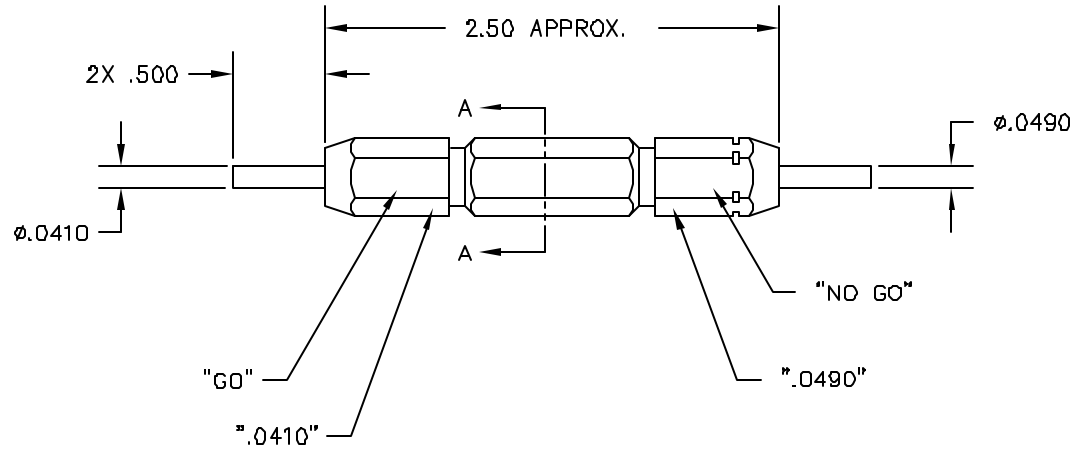
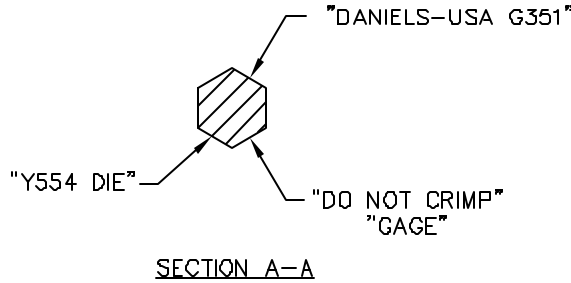


REVISIONS				
REV. BYN.	E.C.G. NUMBER	DESCRIPTION	BY DATE	APP'D DATE
1		ORIGINAL RELEASE	MGS 10/18/98	DE 10/98



**UNCONTROLLED DOCUMENT  
WILL NOT BE UPDATED**

<b>RESTRICTED &amp; CONFIDENTIAL</b> CONFIDENTIAL PROPERTY OF DANIELS MANUFACTURING CORP. NOT TO BE DISCLOSED TO OTHERS, REPRODUCED OR USED FOR ANY OTHER PURPOSE, EXCEPT AS AUTHORIZED IN WRITING BY DANIELS MANUFACTURING. MUST BE RETURNED TO DANIELS MANUFACTURING CORP. ON COMPLETION OF ORDER OR OTHER PURPOSE FOR WHICH LENT.	MATERIAL	ITEM		PART NO.	QTY.	DESCRIPTION/REMARKS		
	HEAT TREAT	OPNL	MGS	DATE		<b>DANIELS MANUFACTURING CORP.</b> ORLANDO, FLORIDA GAGE 11831		
	FINISH	CHKEL	DE	DATE				
		APPEL		DATE				
	APPEL		DATE					
DO NOT SCALE DRAWING		WHERE USED:		SIZE	SCALE	GAD P/N	SHEET	OF
				B	NTS	G351-ENV	1	1
				POSTING		P/N		REV.
						G351-ENV		1