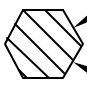
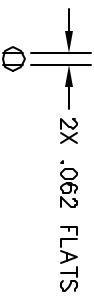
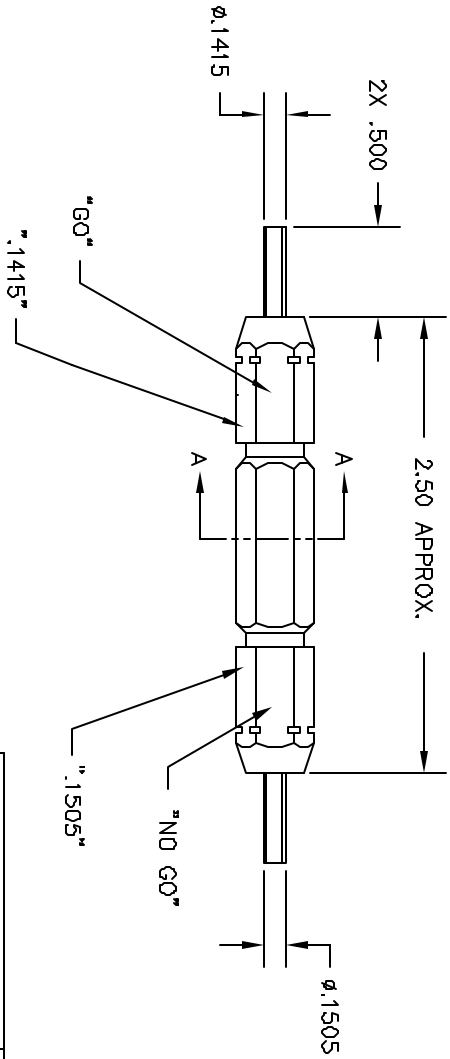


REVISIONS				
REV.	EQD. NUMBER	DESCRIPTION	BY DATE	APP'D DATE
1		ORIGINAL RELEASE	1/5/98	1/5/98

"DO NOT CRIMP"  
"GAGE"  
"DANIELS-USA G347"



SECTION A-A



**UNCONTROLLED DOCUMENT  
WILL NOT BE UPDATED**

RESTRICTED & CONFIDENTIAL		COMPENSATIONAL PROPERTY OF DANIELS MANUFACTURING CORP. NOT TO BE REPRODUCED OR COPIED, REPRODUCED OR COPIED AS AUTHORIZED BY DANIELS MANUFACTURING CORP. ON COMPLETION OF DRAWING PURPOSE FOR WHICH INT.	
MATERIAL	HEAT TREAT	FINISH	DO NOT SCALE DRAWING
ITEM	PART NO.	QTY.	DESCRIPTION/REMARKS
DRW. J. JOYCE	DATE		
CHD. RRR	DATE		
APP'D.	DATE		
NOTE: THIS DRAWING IS AN OUTLINE DRAWING OF THE RESPECTIVE INDICATED ACTUAL DIM. PART NUMBER IS DRAWING THE "ENV" SUFFIX.			
WHERE USED		SCALE	SHEET
B	NTS	G347-ENV	1 OF 1
PART NUMBER IS DRAWING		DWG. NO.	REV.
G347-ENV		G347-ENV	1