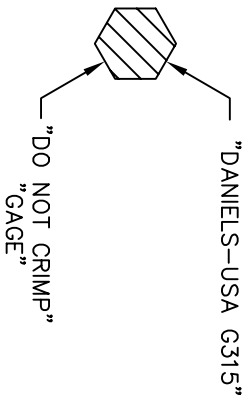
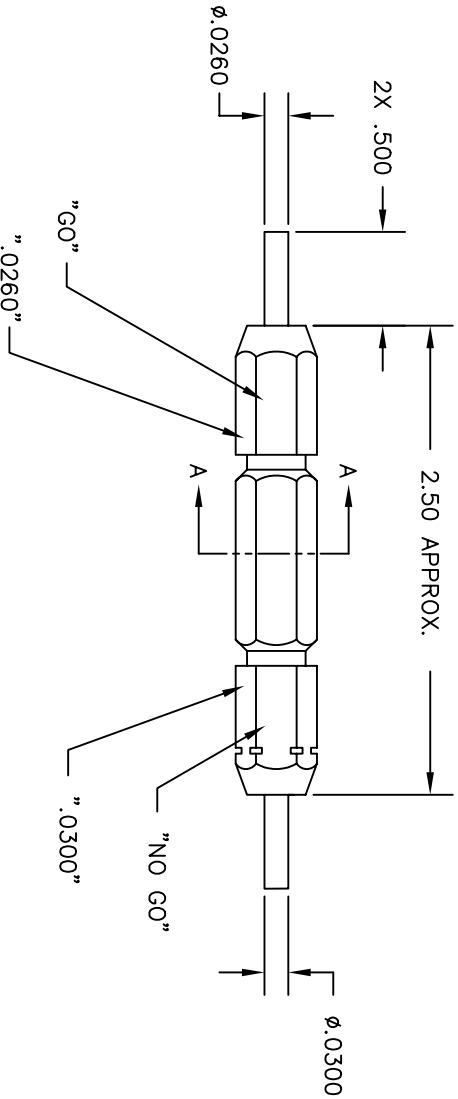



REVISIONS				
REV. SYML	E.C.O. NUMBER	DESCRIPTION	BY DATE	APP'D DATE
2		REVISED PIN SIZES	LOV' 8/7/89	JS 8/15/89



SECTION A-A



**UNCONTROLLED DOCUMENT
WILL NOT BE UPDATED**

RESTRICTED & CONFIDENTIAL CONFIDENTIAL PROPERTY OF DANIELS MANUFACTURING CORP. THIS DRAWING IS NOT TO BE REPRODUCED OR USED FOR ANY OTHER PURPOSE, EXCEPT AS AUTHORIZED IN WRITING BY DANIELS MANUFACTURING. MUST BE RETURNED TO DANIELS MANUFACTURING UPON COMPLETION OF ORDER OR OTHER PURPOSE FOR WHICH LENT.		MATERIAL		ITEM		PART NO.		DESCRIPTION/REMARKS	
HEAT TREAT		DRN. LME		DATE 4/23/88		DATE 4/23/88		 DANIELS MANUFACTURING CORP. ORLANDO, FLORIDA CASE 11851	
FINISH		CHK'D. MGS		DATE 4/23/88		DATE 4/23/88			
DO NOT SCALE DRAWING		APP'D. DJR		DATE 4/24/88		DATE 4/24/88		TITLE	
		NOTE: THIS DRAWING IS AN OUTLINE DRAWING OF THE RESPECTIVE DIMENSIONS OF THE DRAWING PART NUMBER WITHOUT THE "-ENV" SUFFIX.		WHERE USED:		SCALE		SHEET 1 OF 1	
				POSTING		DMG. NO. G315-ENV		REV. 2	