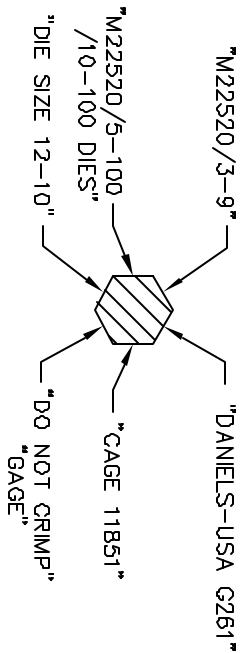
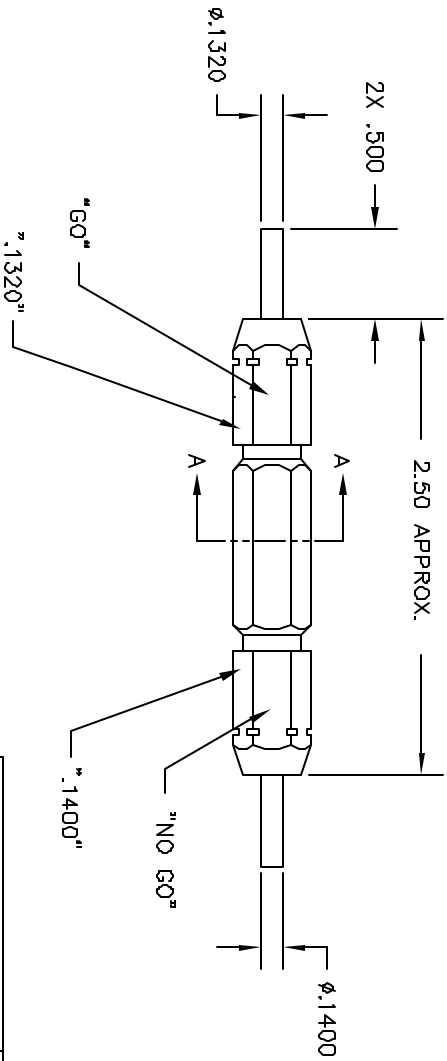


REVISIONS		REV.	DATE	BY	APP'D
1	ORIGINAL RELEASE	1/6/99	1/6/99		



SECTION A-A



**UNCONTROLLED DOCUMENT  
WILL NOT BE UPDATED**

RESTRICTED & CONFIDENTIAL		MATERIAL		ITEM		PART NO.		QTY.		DESCRIPTION/REMARKS	
CONFIDENTIAL PROPERTY OF DANIELS MANUFACTURING COMPANY. NOT TO BE REPRODUCED OR USED FOR ANY OTHER PURPOSE EXCEPT AS AUTHORIZED IN WRITING BY DANIELS MANUFACTURING COMPANY. MUST BE RETURNED TO DANIELS MANUFACTURING COMPANY UPON COMPLETION OF ORDER OR OTHER PURPOSE FOR WHICH Lent.		HEAT TREAT		DRN J. JOYCE		DATE 1/6/99		DATE 1/6/99		DANIELS MANUFACTURING CORP. ORLANDO, FLORIDA CAGE 11B51	
DO NOT SCALE DRAWING		FINISH		APPL.		DATE		TITLE		WHERE USED	
								GO/NO-GO GAGE ENVELOPE DRAWING (M22520/3-9)		DND P/N G261-ENV	
								SIZE B		SHEET 1 OF 1	
								POSTING P/M		REV 1	