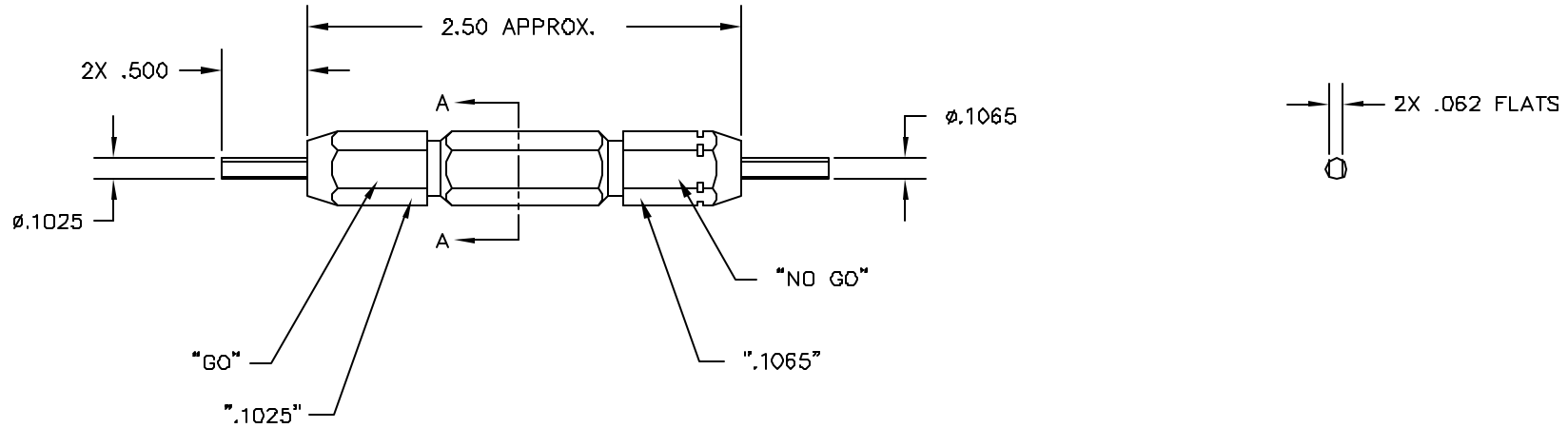
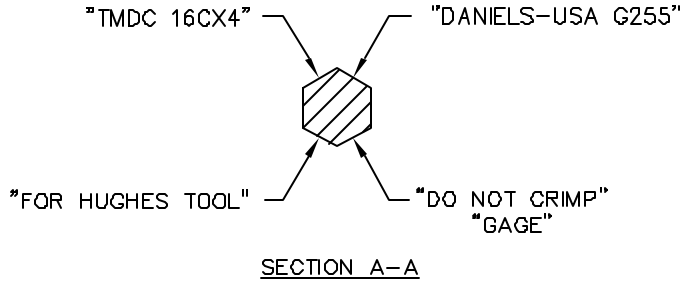



| REVISIONS | | | | |
|-----------|---------------|------------------|----------------|----------------|
| REV. SYN. | E.C.D. NUMBER | DESCRIPTION | BY DATE | APPD DATE |
| 1 | | ORIGINAL RELEASE | JWJ 12/8/00 | RRR 12/8/00 |



**UNCONTROLLED DOCUMENT
WILL NOT BE UPDATED**

| | | | | | | | |
|---|--|------------|--|------------------|-----------------|---|---------------------|
| RESTRICTED & CONFIDENTIAL | | MATERIAL | | ITEM | PART NO. | QTY. | DESCRIPTION/REMARKS |
| CONFIDENTIAL PROPERTY OF DANIELS MANUFACTURING CORP. NOT TO BE DISCLOSED TO OTHERS, REPRODUCED OR USED FOR ANY OTHER PURPOSE, EXCEPT AS AUTHORIZED IN WRITING BY DANIELS MANUFACTURING. MUST BE RETURNED TO DANIELS MANUFACTURING CORP. ON COMPLETION OF ORDER OR OTHER PURPOSE FOR WHICH LENT. | | HEAT TREAT | | DIRL J. JOYCE | DATE 12/8/00 |  DANIELS MANUFACTURING CORP. ORLANDO, FLORIDA GAGE 11851 | |
| | | FINISH | | CHK'D. RRR | DATE 12/8/00 | | |
| DO NOT SCALE DRAWING | | | | APP'D. | DATE | TITLE | |
| | | | | APP'D. | DATE | GO/NO-GO GAGE ENVELOPE DRAWING | |
| | | | | WHERE USED: | | SIZE | SCALE |
| | | | | | | B | NTS |
| | | | | | | POSTING | P/N |
| | | | | | | | G255-ENV |
| | | | | | | | SHEET 1 OF 1 |
| | | | | | | | REV. 1 |