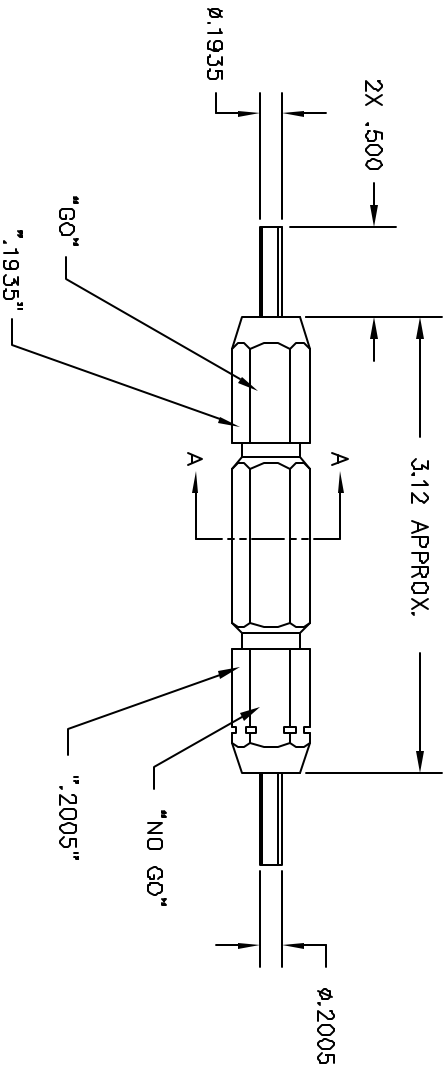


REVISIONS			
REV.	REV. STA.	DESCRIPTION	DATE
1		ORIGINAL RELEASE	9/7/94
			10/7/94

"M22520/6-007"
 "DANIELS-USA G189"
 "M22520/5-01
 BASIC TOOL"
 "DIES M22520/5-43B"
 "DO NOT CRIMP"
 "DO NOT CRIMP"
 "GAGE"
 "GAGE 11851"

SECTION A-A



**UNCONTROLLED DOCUMENT
 WILL NOT BE UPDATED**

RESTRICTED & CONFIDENTIAL			
<p>CONFIDENTIAL PROPERTY OF DANIELS MANUFACTURING CORP. NOT TO BE DISCLOSED TO OTHERS, REPRODUCED OR USED FOR ANY OTHER PURPOSE WITHOUT THE WRITTEN PERMISSION OF DANIELS MANUFACTURING CORP. ON COMPLETION OF ORDER OR OTHER PURPOSE FOR WHICH MADE.</p>			
MATERIAL	ITEM	PART NO.	DESCRIPTION/REMARKS
HEAT TREAT	EC	DATE	<p>Daniel's Manufacturing Corp. ORLANDO, FLORIDA CASE 11851</p>
FINISH	BQ	DATE	
	APPL.	DATE	<p>GO/NO-GO GAGE (M22520/6-007) ENVELOPE DRAWING</p>
DO NOT SCALE DRAWING		WHERE USED	<p>SIZE B SCALE NTS POSTING P/M</p>
		END P/N	<p>G189-ENV SHEET 1 OF 1 REV 1</p>