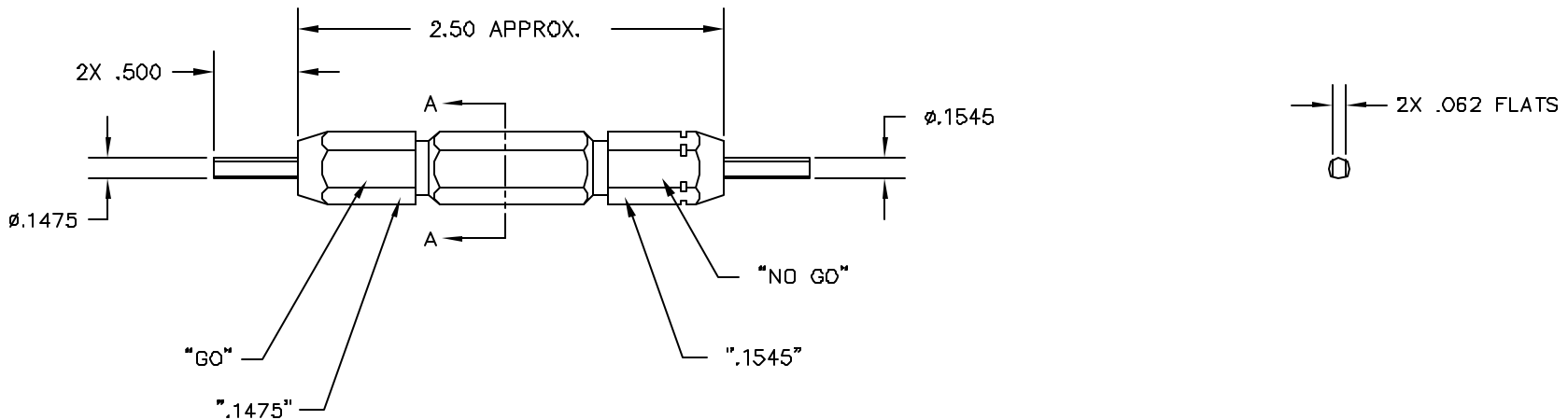


SECTION A-A



**UNCONTROLLED DOCUMENT  
WILL NOT BE UPDATED**

REVISIONS				
REV. SYN.	E.C.D. NUMBER	DESCRIPTION	BY DATE	APP'D DATE
1		ORIGINAL RELEASE	DVC 8/17/95	DE 8/95

<b>RESTRICTED &amp; CONFIDENTIAL</b>  CONFIDENTIAL PROPERTY OF DANIELS MANUFACTURING CORP. NOT TO BE DISCLOSED TO OTHERS, REPRODUCED OR USED FOR ANY OTHER PURPOSE, EXCEPT AS AUTHORIZED IN WRITING BY DANIELS MANUFACTURING. MUST BE RETURNED TO DANIELS MANUFACTURING CORP. ON COMPLETION OF ORDER OR OTHER PURPOSE FOR WHICH LENT.	MATERIAL	ITEM	PART NO.	QTY.	DESCRIPTION/REMARKS
	HEAT TREAT	DRAWN	DVC	DATE 8/17/95	<b>DVC</b> DANIELS MANUFACTURING CORP. ORLANDO, FLORIDA CAGE 11851
		CHK'D.	DE	DATE 8/17/95	
	FINISH	APP'D.		DATE	TITLE GO/NO-GO GAGE ENVELOPE DRAWING (M22520/6-004)
APP'D.			DATE	WHERE USED:	SIZE B SCALE NTS CAD P/N G1B7-ENV SHEET 1 OF 1 POSTING P/N G187-ENV REV. 1
DO NOT SCALE DRAWING					