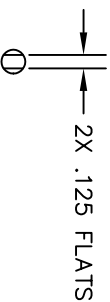
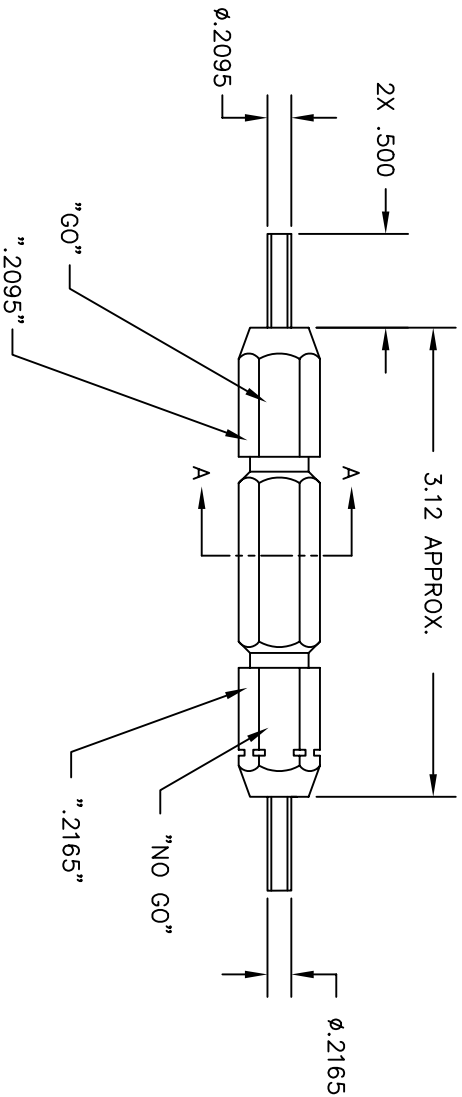
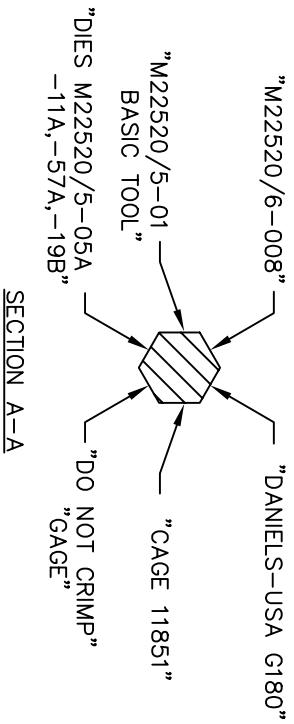


REVISIONS				
REV. SYMB.	E.C.O. NUMBER	DESCRIPTION	BY DATE	APP'D. DATE
1		ORIGINAL RELEASE	JMJ 11/5/99	RRR 11/5/99



**UNCONTROLLED DOCUMENT  
WILL NOT BE UPDATED**

<b>RESTRICTED &amp; CONFIDENTIAL</b> CONFIDENTIAL PROPERTY OF DANIELS MANUFACTURING CORP. NOT TO BE REPRODUCED OR TRANSMITTED IN ANY FORM OR BY ANY MEANS, ELECTRONIC OR MECHANICAL, INCLUDING PHOTOCOPYING, RECORDING, OR BY ANY INFORMATION STORAGE AND RETRIEVAL SYSTEM, WITHOUT THE WRITTEN PERMISSION OF DANIELS MANUFACTURING CORP. ON COMPLETION OF ORDER OR OTHER PURPOSE FOR WHICH INT.		MATERIAL		ITEM	PART NO.	QTY.	DESCRIPTION/REMARKS
		HEAT TREAT		DRN. J. JOYCE CHK'D. RRR APP'D. DATE	1/5/99 DATE		DANIELS MANUFACTURING CORP. ORLANDO, FLORIDA CAGE 11851
FINISH		NOTE: THIS DRAWING IS AN OUTLINE DRAWING OF THE RESPECTIVE INDICATED PART NUMBER. PART NUMBER IS DRAWING NUMBER WITHOUT THE "-ENV" SUFFIX.		SIZE	SCALE	CAD P/N	SHEET 1 OF 1
DO NOT SCALE DRAWING				POSTING		DWG. NO. G180-ENV	REV. 1

**DMC**  
DANIELS MANUFACTURING CORP.  
ORLANDO, FLORIDA  
CAGE 11851

GO/NO-GO GAGE  
ENVELOPE DRAWING