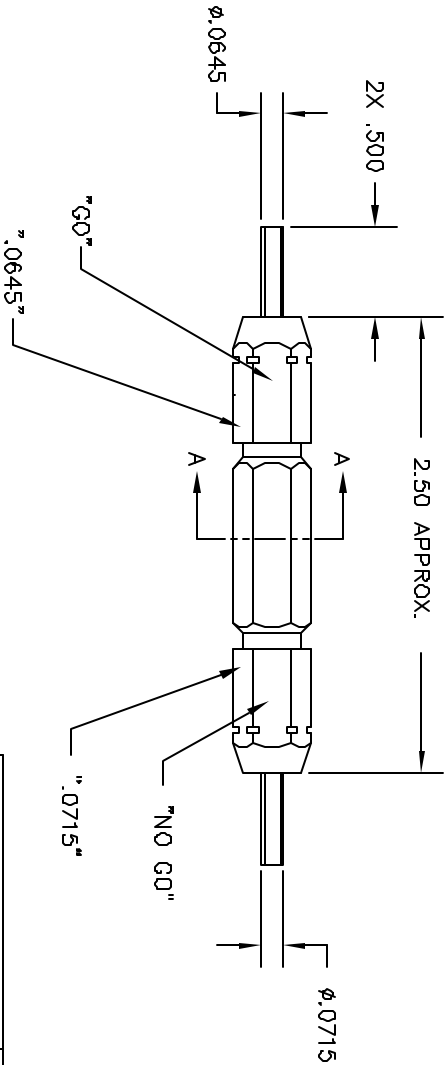


REVISIONS			
REV.	NO.	DESCRIPTION	DATE
1		ORIGINAL RELEASE	10/25/98

"M22520/6-029"
 "DANIELS-USA G160"
 "M22520/5-01
 BASIC TOOL"
 "DIES M22520/5-02B,
 -09B, -11B, -13B, -15B"
 "CAGE 11B51"
 "DO NOT CRIMP"
 "GAGE"
 SECTION A-A



**UNCONTROLLED DOCUMENT
 WILL NOT BE UPDATED**

RESTRICTED & CONFIDENTIAL		MATERIAL		ITEM		PART NO.		QTY.		DESCRIPTION/REMARKS	
CONFIDENTIAL PROPERTY OF DANIELS MANUFACTURING COMPANY. THIS DRAWING IS LOANED TO YOURS. REPRODUCTION OR USE FOR ANY OTHER PURPOSE EXCEPT AS AUTHORIZED IN WRITING BY DANIELS MANUFACTURING COMPANY IS STRICTLY PROHIBITED. NO PART OF THIS DRAWING IS TO BE REPRODUCED OR TRANSMITTED IN ANY MANNER OR BY ANY MEANS, ELECTRONIC OR MECHANICAL, INCLUDING PHOTOCOPYING, RECORDING, OR BY ANY INFORMATION STORAGE AND RETRIEVAL SYSTEM, WITHOUT PERMISSION IN WRITING FROM DANIELS MANUFACTURING COMPANY.		HEAT TREAT		DRN J. JOYCE		DATE 01/98				DANIELS MANUFACTURING CORP. ORLANDO, FLORIDA CAGE 11B51	
DO NOT SCALE DRAWING		FINISH		APPR. DE		DATE		APPR. DATE		TITLE GO/NO-GO GAGE ENVELOPE DRAWING (M22520/6-029)	
				SIZE B		SCALE NTS		DWD E/N G160-ENV		SHEET 1 OF 1	
				POSTING		P/M		G160-ENV		REV 1	