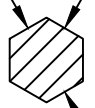


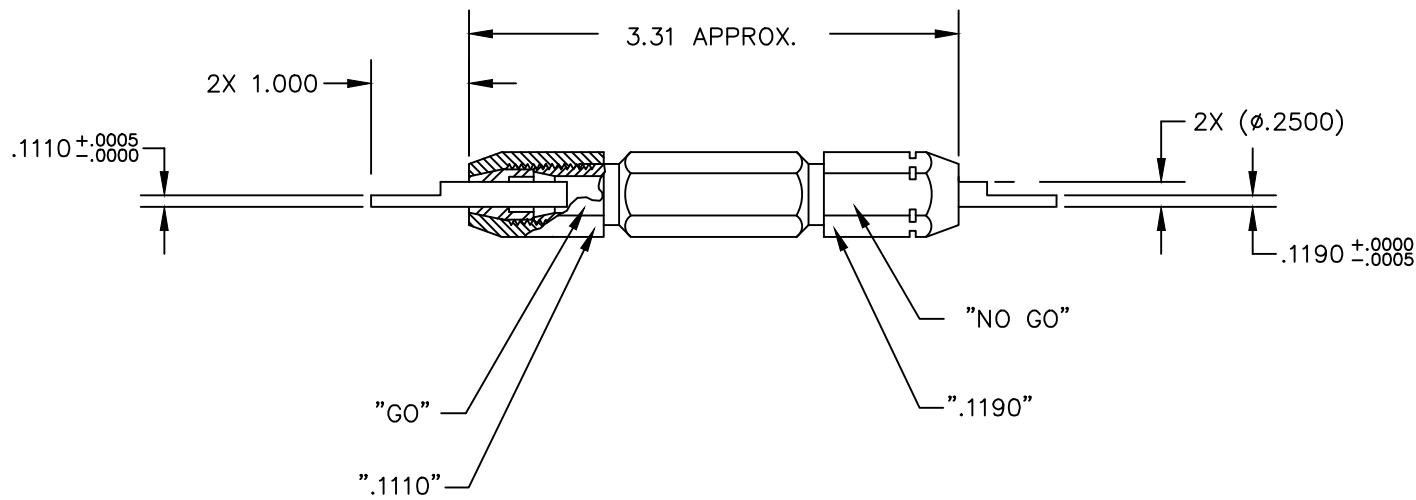
"FOR HD51-114N & -118N
REV D"

"DANIELS-USA G1150"




"DO NOT CRIMP"
"GAGE"

REVISIONS				
REV. SYM.	E.C.O. NUMBER	DESCRIPTION	BY DATE	APP'D DATE
1		ORIGINAL RELEASE	K. KOONS 6.16.11	
2		REVISED PINS	ENF 7/11	
3		REVISED PIN OD	ENF 4/14	



**UNCONTROLLED DOCUMENT
WILL NOT BE UPDATED**
DIMENSIONS IN INCHES - UNLESS OTHERWISE SPECIFIED

NOTES:

<p>RESTRICTED & CONFIDENTIAL</p> <p>CONFIDENTIAL PROPERTY OF DANIELS MANUFACTURING CORP. NOT TO BE DISCLOSED TO OTHERS, REPRODUCED OR USED FOR ANY OTHER PURPOSE, EXCEPT AS AUTHORIZED IN WRITING BY DANIELS MANUFACTURING. MUST BE RETURNED TO DANIELS MANUFACTURING CORP. ON COMPLETION OF ORDER OR OTHER PURPOSE FOR WHICH SENT.</p>	MATERIAL	ITEM	PART NO.	QTY.	DESCRIPTION/REMARKS								
	HEAT TREAT	DRN. KIRK C KOONS	DATE 6.16.11		 DANIELS MANUFACTURING CORP. ORLANDO, FLORIDA FSCM 11851								
	FINISH	CHK'D.	DATE										
			APP'D.	DATE	TITLE	GO/NO-GO GAGE ENVELOPE DRAWING							
		APP'D.	DATE	WHERE USED:	HD51-114N & -118N REV D								
		NOTE: THIS DRAWING IS AN OUTLINE DRAWING OF THE RESPECTIVE DMC PART NUMBER INDICATED. ACTUAL DMC PART NUMBER IS DRAWING NUMBER WITHOUT THE "-ENV" SUFFIX.		SIZE	B	SCALE	NTS	CAD P/N	G1150-ENV	SHEET	1	OF	1
				POSTING		DWG. NO.	G1150-ENV	REV.	3				