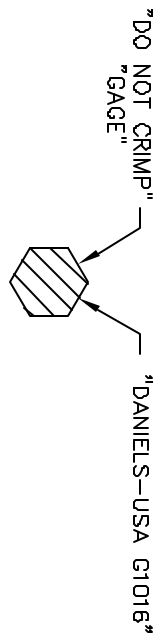
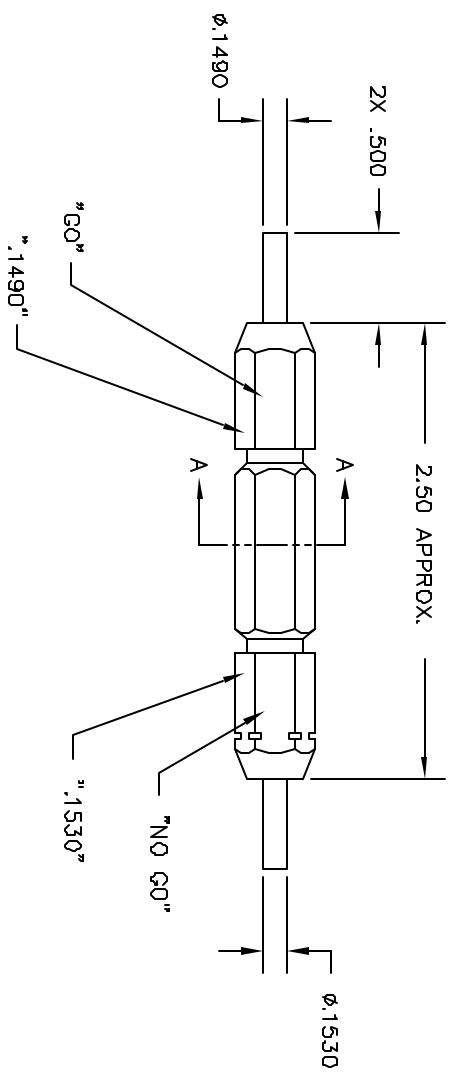



REV.	EQD NUMBER	DESCRIPTION	BY DATE	APP'D DATE
1		ORIGINAL RELEASE	8/9/04	8/9/04



SECTION A-A



**UNCONTROLLED DOCUMENT
WILL NOT BE UPDATED**

RESTRICTED & CONFIDENTIAL CONFIDENTIAL PROPERTY OF DANIELS MANUFACTURING CORP. NOT TO BE REPRODUCED OR TRANSMITTED IN ANY FORM OR BY ANY MEANS, ELECTRONIC OR MECHANICAL, INCLUDING PHOTOCOPYING, RECORDING, OR BY ANY INFORMATION STORAGE AND RETRIEVAL SYSTEM, WITHOUT PERMISSION IN WRITING BY DANIELS MANUFACTURING. THIS DRAWING IS AN OUTLINE DRAWING OF THE RESPECTIVE PART NUMBER AND IS NOT TO BE USED FOR FABRICATION OR CONSTRUCTION OF PARTS IN COMPETITION OF OTHERS WITHOUT THE WRITTEN PERMISSION OF DANIELS MANUFACTURING CORP. WHICH ENTITLES DANIELS MANUFACTURING CORP. TO INDEMNIFY AND DEFEND YOU FROM AND AGAINST ALL SUCH CLAIMS AND DAMAGES.		MATERIAL	ITEM	PART NO.	QTY.	DESCRIPTION/REMARKS
HEAT TREAT	DRG. J. JOYCE	DATE 8/9/04	DATE 8/9/04			 DANIELS MANUFACTURING CORP. ORLANDO, FLORIDA CASE 11851
FINISH	CHKD. RRR	DATE	DATE			
DO NOT SCALE DRAWING		NOTE: THIS DRAWING IS AN OUTLINE DRAWING OF THE RESPECTIVE PART NUMBER AND IS NOT TO BE USED FOR FABRICATION OR CONSTRUCTION OF PARTS IN COMPETITION OF OTHERS WITHOUT THE WRITTEN PERMISSION OF DANIELS MANUFACTURING CORP. WHICH ENTITLES DANIELS MANUFACTURING CORP. TO INDEMNIFY AND DEFEND YOU FROM AND AGAINST ALL SUCH CLAIMS AND DAMAGES.		WHERE USED Y19ZMR		
		SCALE	SIZE	POSTING	DWG NO	REV
		NTS	B		G1016-ENV	1
					G1016-ENV	1