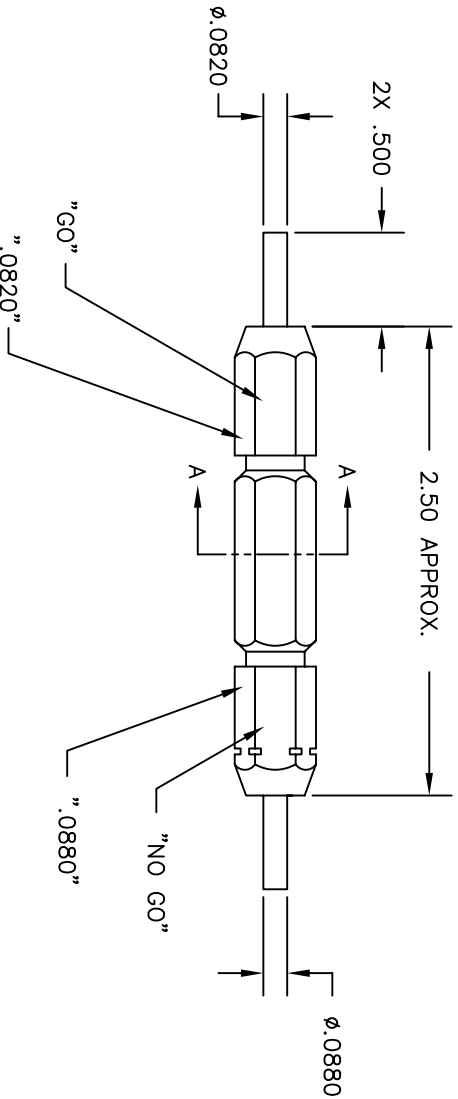
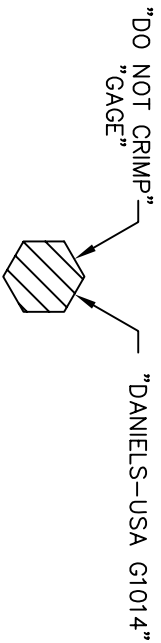


REVISIONS				
REV. SYM.	E.C.O. NUMBER	DESCRIPTION	BY DATE	APP'D DATE
1		ORIGINAL RELEASE	JMW 11/7/06	RRR 11/7/06



**UNCONTROLLED DOCUMENT  
WILL NOT BE UPDATED**

RESTRICTED & CONFIDENTIAL		MATERIAL		ITEM		PART NO.		QTY.		DESCRIPTION/REMARKS			
CONFIDENTIAL PROPERTY OF DANIELS MANUFACTURING CORP. NOT TO BE DISCLOSED TO OTHERS, REPRODUCED OR USED FOR ANY OTHER PURPOSE, EXCEPT AS AUTHORIZED IN WRITING BY DANIELS MANUFACTURING CORP. ON COMPLETION OF ORDER OR OTHER PURPOSE FOR WHICH LENT.		HEAT TREAT		DRN.	J. JOYCE	DATE	11/7/06	DANIELS MANUFACTURING CORP. ORLANDO, FLORIDA CAGE 11851	GO/NO-GO GAGE ENVELOPE DRAWING				
				CHK'D.	RRR	DATE	11/7/06						
FINISH		DO NOT SCALE DRAWING		APP'D.		DATE		WHERE USED: SIZE SCALE POSTING		CAD P/N	G1014-ENV	SHEET	1 OF 1
				APP'D.		DATE		THIS DRAWING IS AN OUTLINE DRAWING OF THE RESPECTIVE INDICATED ACTUAL DIMS PART NUMBER WITHOUT THE "-ENV" SUFFIX.		DMG. NO.	G1014-ENV	REV.	1