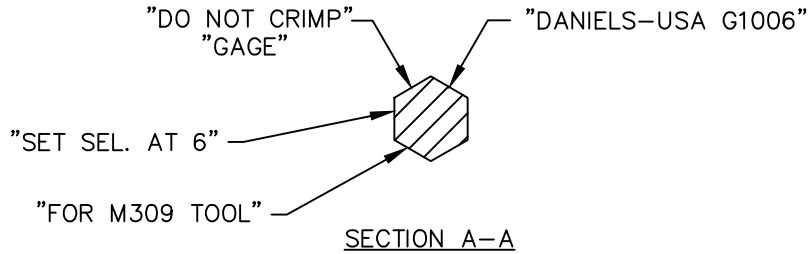
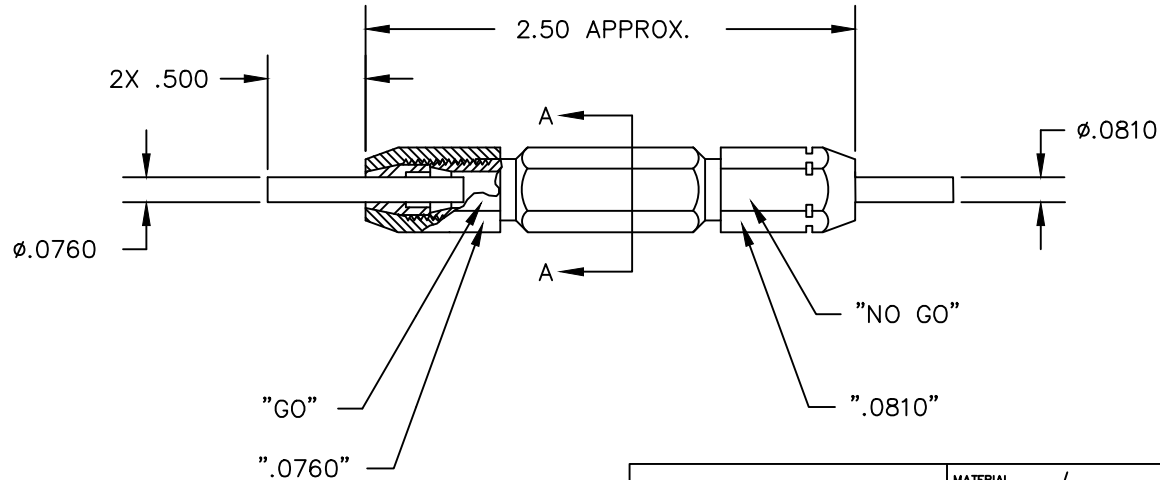


This document is for reference only. Users must assure they are using the correct revision.




REVISIONS				
REV. SYM.	E.C.O. NUMBER	DESCRIPTION	BY DATE	APP'D DATE
1		ORIGINAL RELEASE	K. KOONS 2.3.12	RRR 2.3.12



**UNCONTROLLED DOCUMENT
WILL NOT BE UPDATED**
DIMENSIONS IN INCHES - UNLESS OTHERWISE SPECIFIED

NOTES:

<p>RESTRICTED & CONFIDENTIAL</p> <p>CONFIDENTIAL PROPERTY OF DANIELS MANUFACTURING CORP. NOT TO BE DISCLOSED TO OTHERS, REPRODUCED OR USED FOR ANY OTHER PURPOSE, EXCEPT AS AUTHORIZED IN WRITING BY DANIELS MANUFACTURING. MUST BE RETURNED TO DANIELS MANUFACTURING CORP. ON COMPLETION OF ORDER OR OTHER PURPOSE FOR WHICH SENT.</p>	MATERIAL	/ /		ITEM	PART NO.	QTY.	DESCRIPTION/REMARKS		
	HEAT TREAT	/ /		DRN.	K. KOONS	DATE	 DANIELS MANUFACTURING CORP. ORLANDO, FLORIDA FSCM 11851		
	FINISH	/ /		CHK'D.	RRR	DATE			
	DO NOT SCALE DRAWING				APP'D.	DATE	TITLE	GO/NO-GO GAGE ENVELOPE DRAWING	
				APP'D.	DATE	WHERE USED: M309			
				TOLERANCE: UNLESS OTHERWISE SPECIFIED FRACTIONS $\pm 1/32$ ANGLES $\pm 1/2^\circ$ DECIMALS: .X: $\pm .020$.XX: $\pm .010$.XXX: $\pm .005$.XXXX: $\pm .0005$ REMOVE BURRS & BREAK SHARP EDGES .005-.015		SIZE	SCALE	CAD FILE NO	SHEET OF
						B	NTS	G1006-ENV	1 1
						POSTING		DWG. NO.	REV.
								G1006-ENV	1