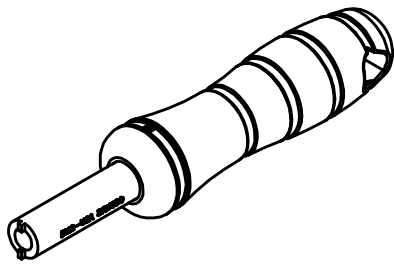
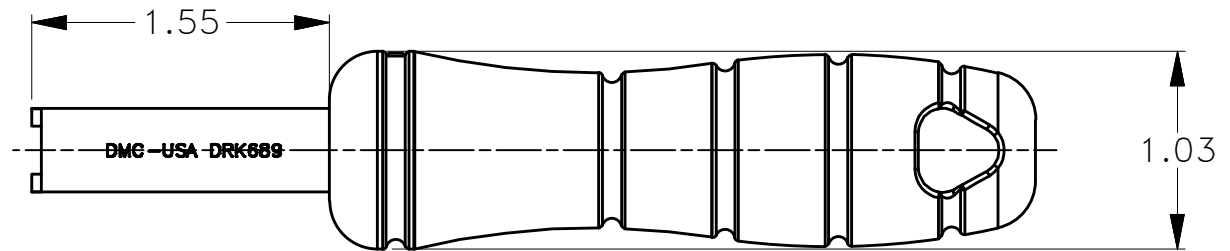
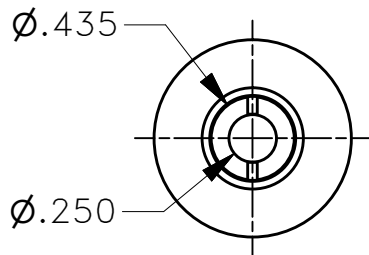
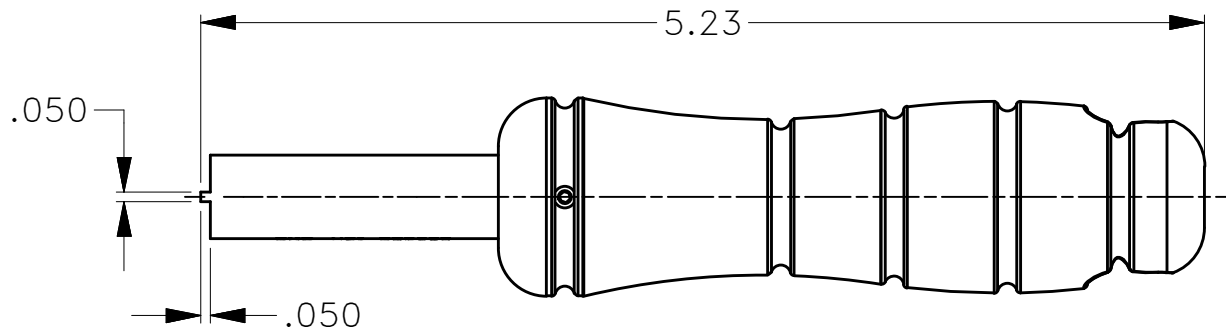


THIS DOCUMENT ID FOR REFERENCE ONLY. USERS MUST ASSURE THEY ARE USING THE CORRECT REVISION.

REVISIONS				
REV SYM	ECO NUMBER	DESCRIPTION	BY DATE	APP'D DATE
1		ORIGINAL RELEASE	K. KOONS 8.29.11	



ISOMETRIC VIEW



1. FUNCTIONAL EQUIVALENT TO AIR LB/CHANNEL SPLIT NUT TOOL 001901-001-00.

NOTES:


RESTRICTED & CONFIDENTIAL

CONFIDENTIAL PROPERTY OF DANIELS MANUFACTURING CORP. NOT TO BE DISCLOSED TO OTHERS. REPRODUCED OR USED FOR ANY OTHER PURPOSE EXCEPT AS AUTHORIZED IN WRITING BY DANIELS MANUFACTURING. MUST BE RETURNED TO DANIELS MANUFACTURING CORP. ON COMPLETION OF ORDER OR OTHER PURPOSES FOR WHICH LENT.

CREATED FROM AN INVENTOR MODEL. CHANGES MUST BE REFLECTED IN THE 3D PART

DO NOT SCALE DRAWING

**UNCONTROLLED DOCUMENT
WILL NOT BE UPDATED**
DIMENSIONS IN INCHES - UNLESS OTHERWISE SPECIFIED

MATERIAL	ITEM	PART NO.	QTY.	DESCRIPTION/REMARKS
	DRN. Kirk C Koons	DATE 8.29.11		 DANIELS MANUFACTURING CORP. ORLANDO, FLORIDA CAGE 11851
	CHK'D.	DATE		
HEAT TREAT	APP'D.	DATE		TITLE
	APP'D.	DATE		SPLIT NUT TOOL
FINISH	NOTE: THIS DRAWING IS AN OUTLINE DRAWING OF THE RESPECTIVE DMC PART NUMBER INDICATED. ACTUAL DMC PART NUMBER IS DRAWING NUMBER WITHOUT THE "-ENV" SUFFIX		WHERE USED:	
	SIZE A	SCALE NTS	CAD P/N DRK689-ENV	SHEET OF 1 1
	POSTING	DWG. NO. DRK689-ENV	REV. 1	