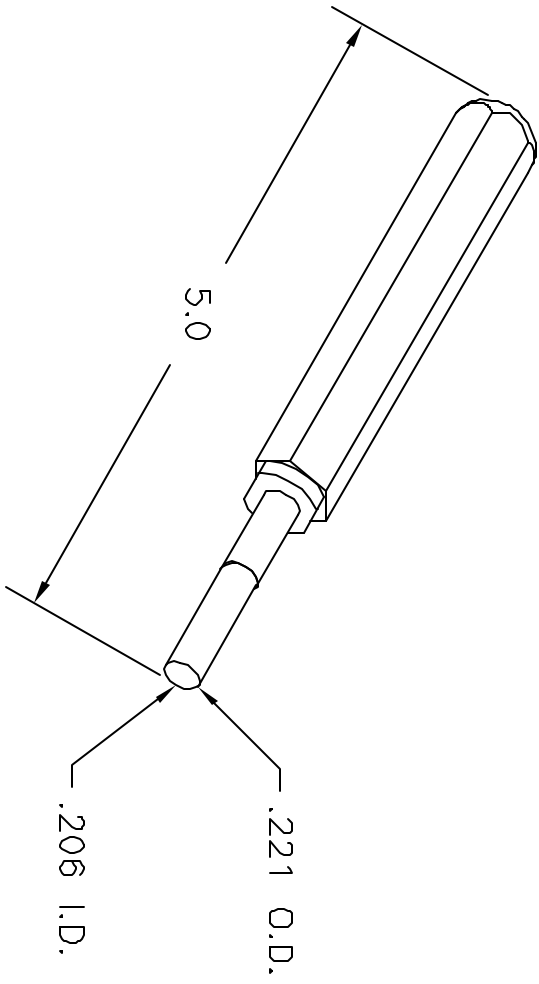


**UNCONTROLLED DOCUMENT  
WILL NOT BE UPDATED**

REVISIONS				
REV. SYM.	E.C.O. NUMBER	DESCRIPTION	BY DATE	APP'D DATE
1		ORIGINAL RELEASE	K. KOONS 8/21/00	RRR 8/21/00



1. REFERENCE: BURNDY RX8-1.  
 NOTES:

<b>RESTRICTED &amp; CONFIDENTIAL</b>  CONFIDENTIAL PROPERTY OF DANIELS MANUFACTURING CORP. NOT TO BE DISCLOSED TO OTHERS, REPRODUCED OR USED FOR ANY OTHER PURPOSE, EXCEPT AS AUTHORIZED IN WRITING BY DANIELS MANUFACTURING. MUST BE RETURNED TO DANIELS MANUFACTURING CORP. ON COMPLETION OF ORDER OR OTHER PURPOSE FOR WHICH LENT.		MATERIAL	
		HEAT TREAT	
FINISH		ITEM      PART NO.      DATE DRN.      JS      10/11/85 CHR'D.      RRR      10/4/85 APP'D.      RSS      10/4/85 APP'D.      DATE	
NOTE: THIS DRAWING IS AN OUTLINE DRAWING OF THE RESPECTIVE DMC PART NUMBER INDICATED. ACTUAL DMC PART NUMBER IS DRAWING NUMBER WITHOUT THE "-ENV" SUFFIX.		TITLE REMOVAL TOOL #8 ENVELOPE DRAWING	

DO NOT SCALE DRAWING		WHERE USED: SIZE      SCALE      CAD P/N      SHEET OF A      NTS      DRK58-8-ENV      1      1 POSTING      DWG. NO.      DRK58-8-ENV      REV.      1	
----------------------	--	---	--

**DMC**  
 DANIELS MANUFACTURING CORP.  
 ORLANDO, FLORIDA  
 CAGE 11851