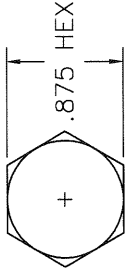
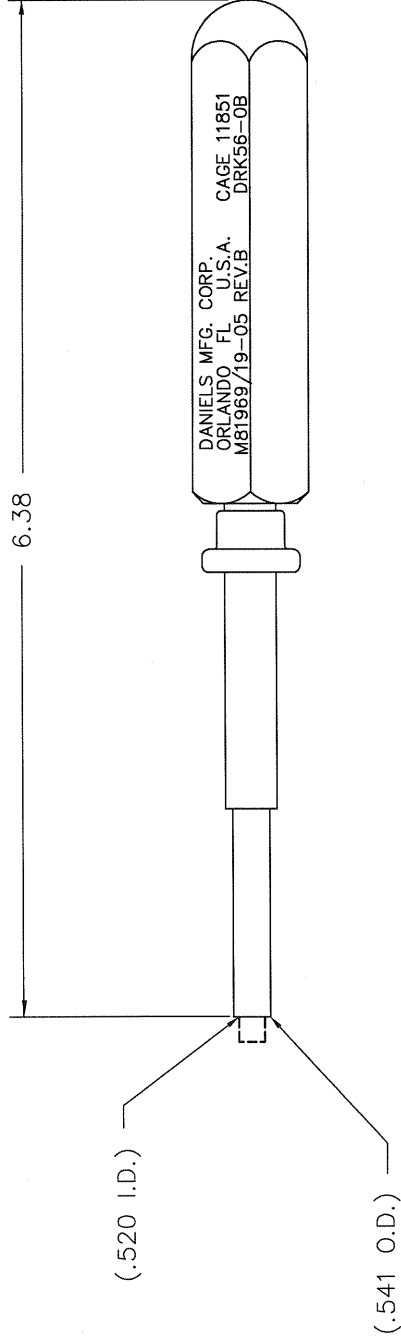


REVISIONS

REV. SYM.	E.C.O. NUMBER	DESCRIPTION	BY DATE	APP'D DATE
1		ORIGINAL RELEASE	K. KOONS 11.22.04	RRR 11.22.04



RESTRICTED & CONFIDENTIAL
 CONFIDENTIAL PROPERTY OF DANIELS MANUFACTURING CORP. NOT TO BE DISCLOSED TO OTHERS. REPRODUCED OR USED FOR ANY OTHER PURPOSE, EXCEPT AS AUTHORIZED IN WRITING BY DANIELS MANUFACTURING. MUST BE RETURNED TO DANIELS MANUFACTURING CORP. ON COMPLETION OF ORDER OR OTHER PURPOSE FOR WHICH LENT.

DO NOT SCALE DRAWING

**UNCONTROLLED DOCUMENT
 WILL NOT BE UPDATED**

ITEM	PART NO.	QTY.	DESCRIPTION/REMARKS
DRW. CHK'D. APP'D.	KIRK C KOONS RRR DATE 11.22.04		DANIELS MANUFACTURING CORP. ORLANDO, FLORIDA CAGE 11851
			REMOVAL TOOL #0 (M81969/19-05 REV.B) ENVELOPE DRAWING
NOTE: THIS DRAWING IS AN OUTLINE DRAWING OF THE RESPECTIVE DMC. PART NUMBER INDICATED. ACTUAL DMC PART NUMBER IS DRAWING NUMBER WITHOUT THE "-ENV" SUFFIX.		WHERE USED:	
MATERIAL		SCALE	CAD P/N
HEAT TREAT		NTS	DRK56-0B-ENV
FINISH		POSTING	DRK56-0B-ENV
		SIZE	SHEET OF
		B	1
			REV. 1