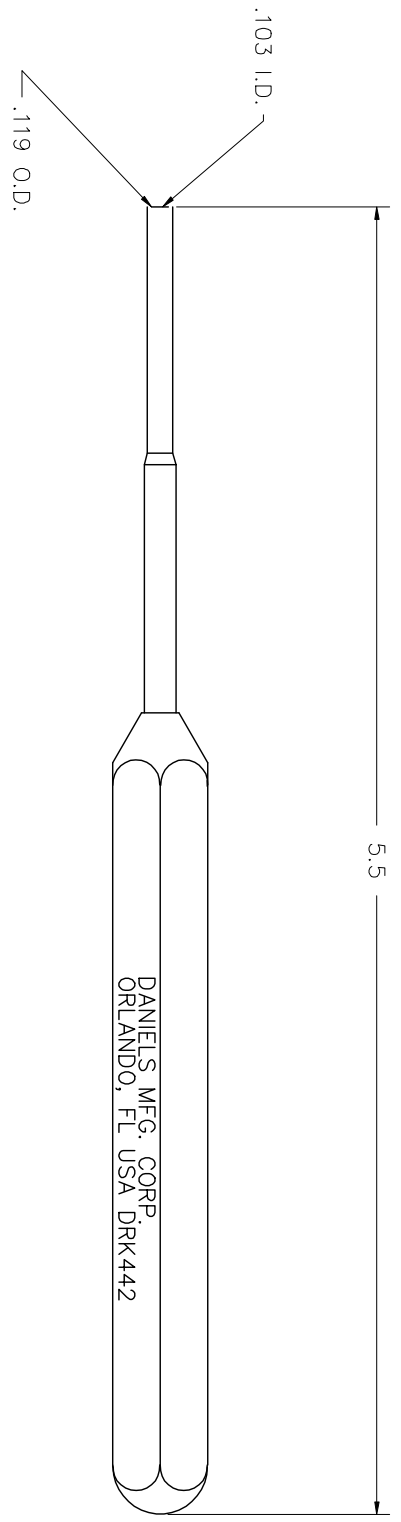



REVISIONS				
REV. SYM.	E.C.O. NUMBER	DESCRIPTION	BY DATE	APP'D DATE
1		ORIGINAL RELEASE	RSS 3/93	DE 4/21/93



RESTRICTED & CONFIDENTIAL		CONFERENTIAL PROPERTY OF DANIELS MANUFACTURING CORP. NOT TO BE DISCLOSED TO OTHERS. REPRODUCED OR USED FOR ANY OTHER PURPOSE, EXCEPT AS AUTHORIZED IN WRITING BY DANIELS MANUFACTURING. ALL RIGHTS RESERVED. THIS DRAWING IS THE PROPERTY OF DANIELS MANUFACTURING CORP. AND IS TO BE USED ONLY FOR THE PURPOSE FOR WHICH INTENT.	
MATERIAL		FINISH	
HEAT TREAT		NOTE: THIS DRAWING IS AN OUTLINE DRAWING OF THE RESPECTIVE PART NUMBER IS DRAWING NUMBER WITHOUT THE "-ENV" SUFFIX.	
ITEM	PART NO.	QTY.	DESCRIPTION/REMARKS
DRN. RSS	DATE 3/93		 DANIELS MANUFACTURING CORP. ORLANDO, FLORIDA CASE 11851
CHK'D. JWV	DATE 4/93		
APP'D.	DATE		
WHERE USED:		SCALE	CAD P/N
A		NTS	DRK442-ENV
POSTING			DMC NO. DRK442-ENV
SHEET 1 OF 1		REV. 1	

DO NOT SCALE DRAWING