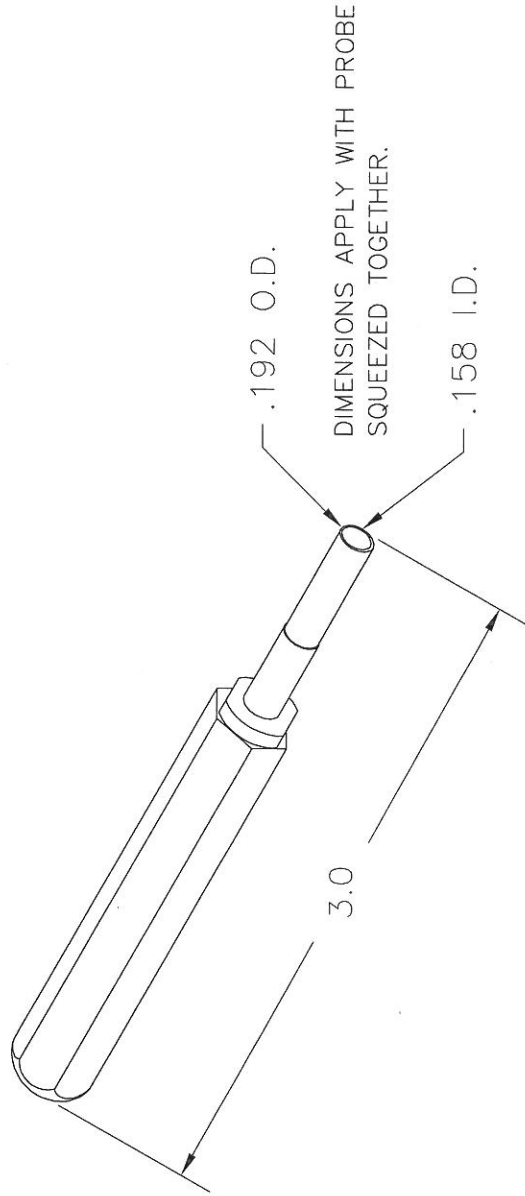


**UNCONTROLLED DOCUMENT
WILL NOT BE UPDATED**

REVISIONS

REV. SYM.	E.C.O. NUMBER	DESCRIPTION	BY DATE	APP'D DATE
1		ORIGINAL RELEASE	K. KOONS 6/21/00	RRR 6/21/00
2	21481	ADDED ID PICTURE	KDH 11/03/09	RRR 11/03/09




1. REFERENCE: AMP 445147-1

NOTES:

RESTRICTED & CONFIDENTIAL

CONFIDENTIAL PROPERTY OF DANIELS MANUFACTURING CORP. NOT TO BE DISCLOSED TO OTHERS, REPRODUCED OR USED FOR ANY OTHER PURPOSE, EXCEPT AS AUTHORIZED IN WRITING BY DANIELS MANUFACTURING. MUST BE RETURNED TO DANIELS MANUFACTURING CORP. ON COMPLETION OF ORDER OR OTHER PURPOSE FOR WHICH LENT.

DO NOT SCALE DRAWING

ITEM	PART NO.	QTY.	DESCRIPTION/REMARKS
DRN.	DATE		 DANIELS MANUFACTURING CORP. ORLANDO, FLORIDA CAGE 11851
CHK'D.	DATE		
APP'D.	DATE		
APP'D.	DATE		
HEAT TREAT			TITLE
FINISH			REMOVAL TOOL ENVELOPE DRAWING
NOTE: THIS DRAWING IS AN OUTLINE DRAWING OF THE RESPECTIVE DMC PART NUMBER INDICATED. ACTUAL DMC PART NUMBER IS DRAWING NUMBER WITHOUT THE "-ENV" SUFFIX.		WHERE USED:	
		SIZE	CAD P/N
		A	DRK398-ENV
		SCALE	
		NTS	
		POSTING	DWG. NO.
			DRK398-ENV
			REV.
			2
			SHEET OF
			1