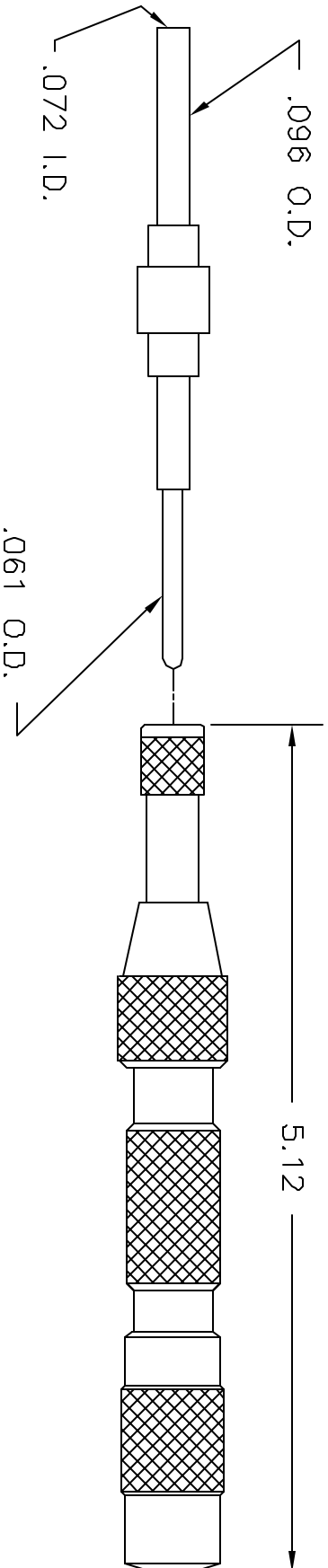


**UNCONTROLLED DOCUMENT  
WILL NOT BE UPDATED**

REVISIONS				
REV. SYM.	E.C.O. NUMBER	DESCRIPTION	BY DATE	APP'D DATE
1		ORIGINAL RELEASE	LLW 4/20/89	JS 4/21/89



- NOTES:
1. REFERENCE: CANNON CET 16.

<b>RESTRICTED &amp; CONFIDENTIAL</b>		MATERIAL		ITEM		PART NO.		QTY.		DESCRIPTION/REMARKS			
CONFIDENTIAL PROPERTY OF DANIELS MANUFACTURING CORP. NOT TO BE DISCLOSED TO OTHERS, REPRODUCED OR USED FOR ANY OTHER PURPOSE, EXCEPT AS AUTHORIZED IN WRITING BY DANIELS MANUFACTURING, MANUFACTURING CORP. ON COMPLETION OF ORDER OR OTHER PURPOSE FOR WHICH LENT.		FINISH		DWN.		LLW		DATE		THIS DRAWING IS AN OUTLINE DRAWING OF THE RESPECTIVE DMC PART NUMBER INDICATED. ACTUAL DMC PART NUMBER IS DRAWING NUMBER WITHOUT THE "-ENV" SUFFIX.			
				HEAT TREAT		CHK'D.		JS				DATE	
				APP'D.		WJP		DATE				DATE	
				APP'D.		AAM		DATE		TITLE			
DO NOT SCALE DRAWING										REMOVAL TOOL ENVELOPE DRAWING			



DANIELS MANUFACTURING CORP.  
ORLANDO, FLORIDA  
CAGE 11851

WHERE USED:

SIZE	SCALE	EAD P/N	SHEET	OF
A	NTS	DRK35-ENV	1	1
POSTING		DMG. NO.	REV.	
		DRK35-ENV	1	