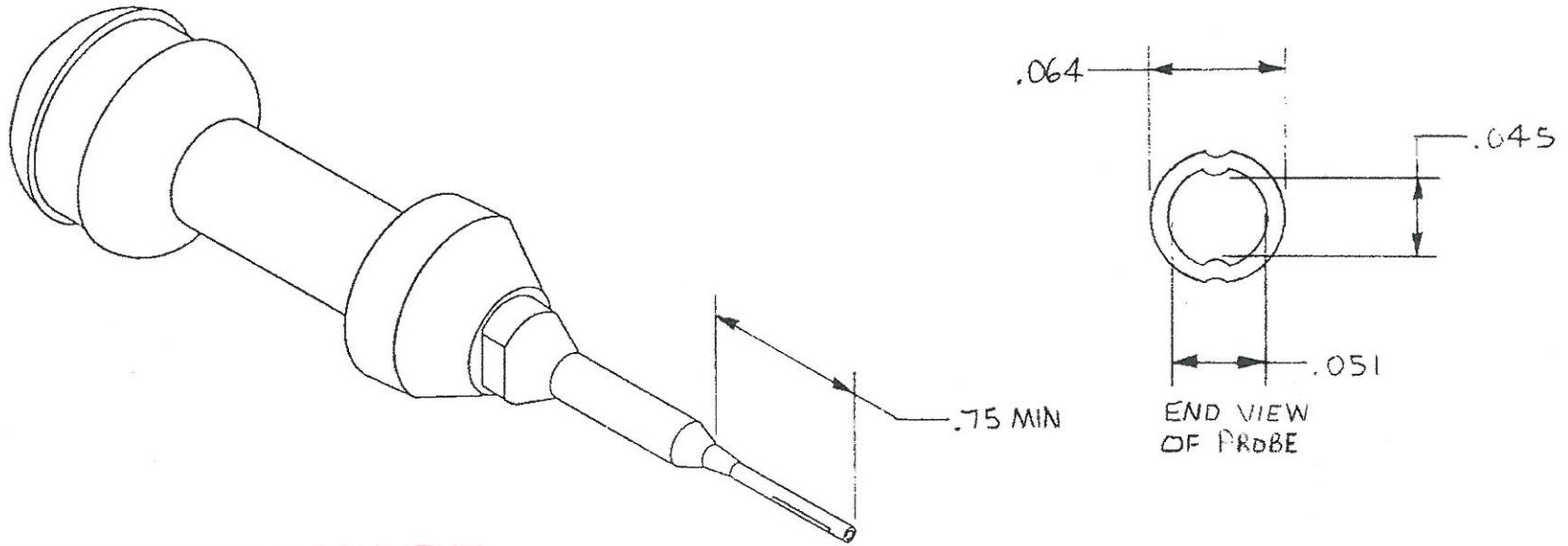



REVISIONS				
REV. SYM.	ECO NO.	DESCRIPTION	BY DATE	APP'D DATE
A		DRIG. RELEASE	<i>P.D.</i> 5.29.91	<i>P.D.</i>



**UNCONTROLLED DOCUMENT
WILL NOT BE UPDATED**

DIMENSIONS IN INCHES-UNLESS OTHERWISE SPECIFIED

MAT'L/HEAT TREAT	ITEM	PART NUMBER	REQ'D	DESCRIPTION/NOMENCLATURE
FINISH	DRN	<i>P. Verrill</i>	DATE	 DANIELS MANUFACTURING CORP. ORLANDO, FLORIDA CAGE 11851
	CHK'D	<i>P. DePaiva</i>	DATE	
	APP'D	<i>Shao Yang</i>	DATE	
	APP'D		DATE	
RESTRICTED & CONFIDENTIAL	TOLERANCE: UNLESS OTHERWISE SPECIFIED FRACTIONS ±1/32 ANGLES ±1/2° DECIMALS: .X: ±.020 .XX: ±.010 .XXX: ±.005 .XXXX: ±.0005 REMOVE BURRS & BREAK SHARP EDGES .005-.015			TITLE ENVELOPE DRAWING REMOVAL TOOL
CONFIDENTIAL INFORMATION, PROPERTY OF DANIELS MFG. CORP. NOT TO BE DISCLOSED TO OTHERS, REPRODUCED OR USED FOR ANY OTHER PURPOSE, EXCEPT AS AUTHORIZED IN WRITING BY DANIELS MFG. CORP. MUST BE RETURNED TO DANIELS MFG. CORP. ON COMPLETION OF ORDER OR OTHER PURPOSE FOR WHICH LENT.	WHERE USED:		SIZE A	SCALE NTS
	POSTING	PART NO. DRK 276-220-ENV	SUPERSEDES	DATE
				REV. A