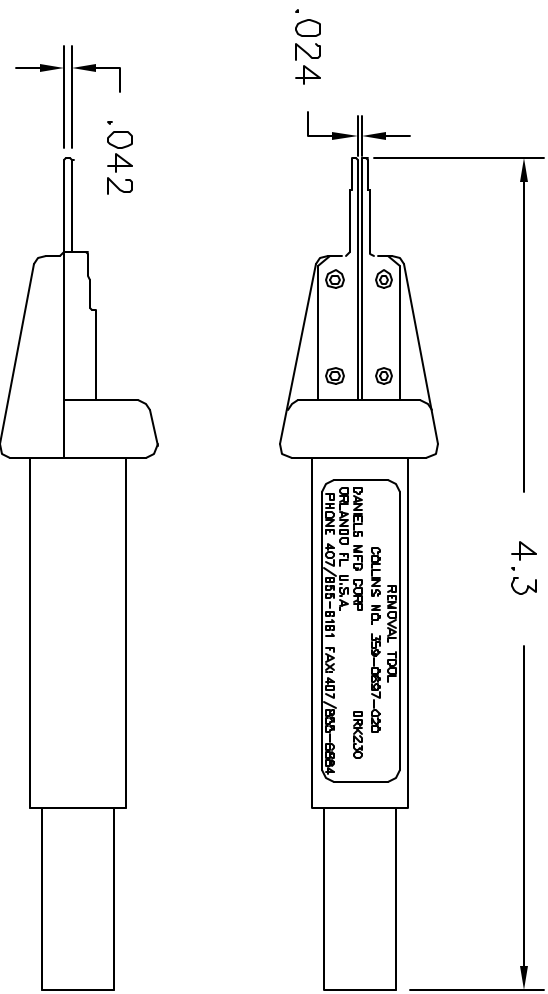


**UNCONTROLLED DOCUMENT  
WILL NOT BE UPDATED**

REVISIONS				
REV. SYM.	E.C.O. NUMBER	DESCRIPTION	BY DATE	APP'D DATE
1		ORIGINAL RELEASE	JWJ 1/29/00	RRR 1/29/00



1. REFERENCE: COLLINS 359-0697-020.  
(CONTACT #372-2514-080)

NOTES:

**RESTRICTED & CONFIDENTIAL**  
CONFIDENTIAL PROPERTY OF DANIELS MANUFACTURING CORP. NOT TO BE DISCLOSED TO OTHERS, REPRODUCED OR USED FOR ANY OTHER PURPOSE EXCEPT AS AUTHORIZED IN WRITING BY DANIELS MANUFACTURING. MUST BE RETURNED TO DANIELS MANUFACTURING CORP. ON COMPLETION OF ORDER OR OTHER PURPOSES FOR WHICH LENT.

MATERIAL	ITEM	PART NO.	QTY.	DESCRIPTION/REMARKS
HEAT TREAT	DRN. J. JOYCE	DATE 3/29/00		<b>DMC</b> DANIELS MANUFACTURING CORP. ORLANDO, FLORIDA CAGE 11851
	CHK'D. RRR	DATE 3/29/00		
	APP'D.	DATE		
FINISH	APP'D.	DATE		TITLE: REMOVAL TOOL ENVELOPE DRAWING WHERE USED: SIZE SCALE CAD P/N SHEET OF A NTS DRK230-ENV 1 1 POSTING DWG. NO. DRK230-ENV 1 1

DO NOT SCALE DRAWING

NOTE:  
THIS DRAWING IS AN OUTLINE DRAWING OF THE RESPECTIVE DMC PART NUMBER INDICATED. ACTUAL DMC PART NUMBER IS DRAWING NUMBER WITHOUT THE "-ENV" SUFFIX.