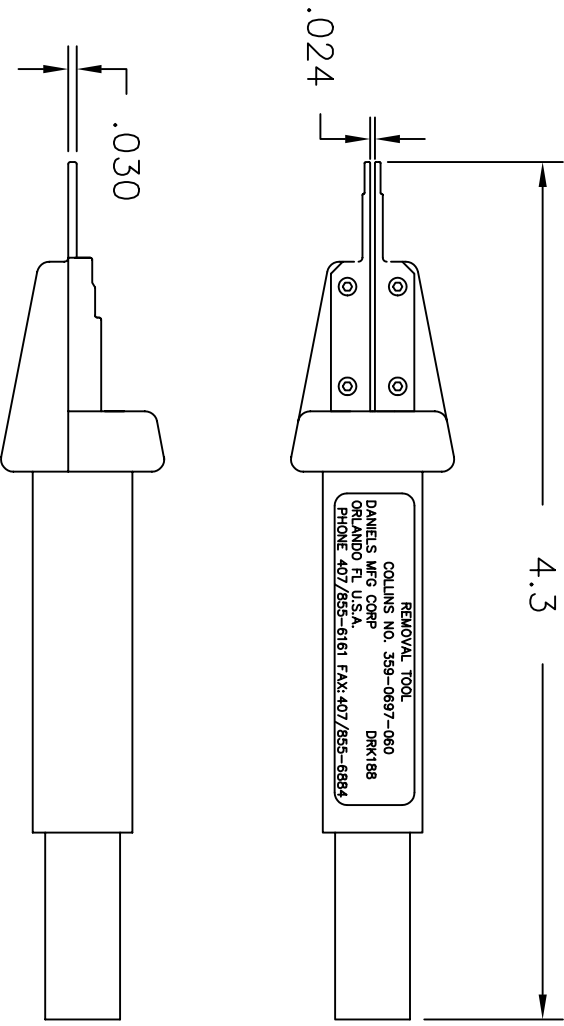


**UNCONTROLLED DOCUMENT
WILL NOT BE UPDATED**

REVISIONS				
REV. SYM.	E.C.O. NUMBER	DESCRIPTION	BY DATE	APP'D DATE
1		ORIGINAL RELEASE	JWJ 1/29/00	RRR 1/29/00



1. REFERENCE: COLLINS 359-0697-060.
(CONTACT #372-2514-010 AND #372-2514-110)

NOTES:

RESTRICTED & CONFIDENTIAL
CONFIDENTIAL PROPERTY OF DANIELS MANUFACTURING CORP. NOT TO BE DISCLOSED TO OTHERS, REPRODUCED OR USED FOR ANY OTHER PURPOSE EXCEPT AS AUTHORIZED IN WRITING BY DANIELS MANUFACTURING. MUST BE RETURNED TO DANIELS MANUFACTURING CORP. ON COMPLETION OF ORDER OR OTHER PURPOSES FOR WHICH LENT.

MATERIAL		ITEM	PART NO.	QTY.	DESCRIPTION/REMARKS								
HEAT TREAT		DRN. J. JOYCE	DATE 3/29/00		DMC DANIELS MANUFACTURING CORP. ORLANDO, FLORIDA CAGE 11851								
FINISH		CHK'D. RRR	DATE 3/29/00										
		APP'D.	DATE										
		APP'D.	DATE										
NOTE: THIS DRAWING IS AN OUTLINE DRAWING OF THE RESPECTIVE DMC PART NUMBER INDICATED. ACTUAL DMC PART NUMBER IS DRAWING NUMBER WITHOUT THE "-ENV" SUFFIX.													
WHERE USED: <table border="1" style="width:100%"> <tr> <th>SIZE</th> <th>SCALE</th> <th>CAD P/N</th> <th>SHEET OF</th> </tr> <tr> <td>A</td> <td>NTS</td> <td>DRK188-ENV</td> <td>1 1</td> </tr> </table>						SIZE	SCALE	CAD P/N	SHEET OF	A	NTS	DRK188-ENV	1 1
SIZE	SCALE	CAD P/N	SHEET OF										
A	NTS	DRK188-ENV	1 1										
TITLE: REMOVAL TOOL ENVELOPE DRAWING													
DWG. NO. DRK188-ENV													

DO NOT SCALE DRAWING