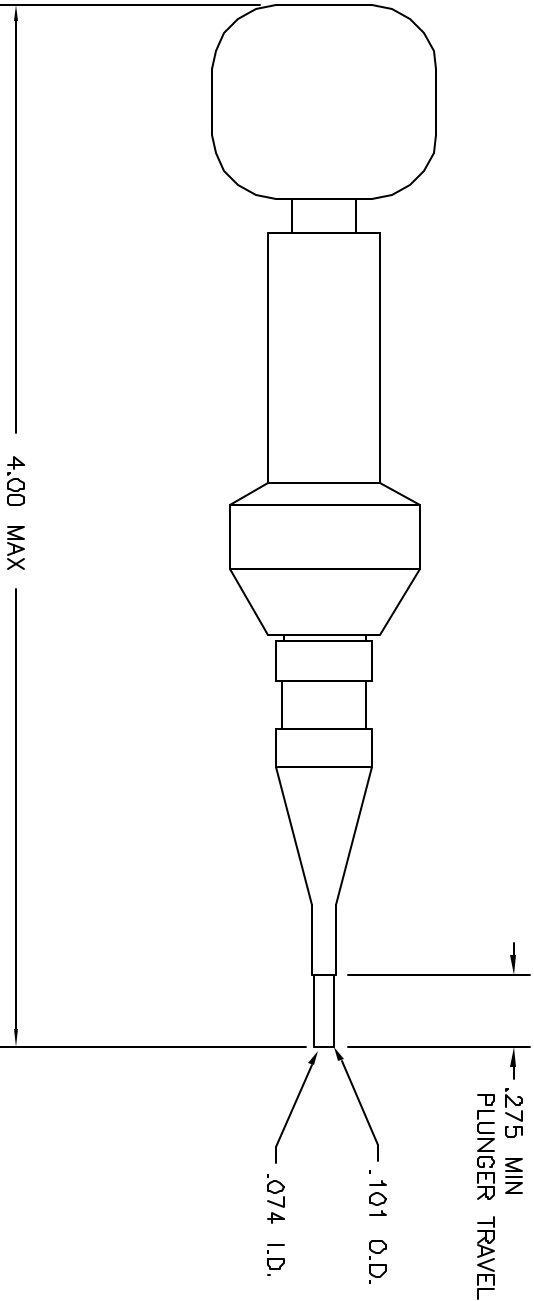


REVISIONS				
REV. STAMP	ECO. NUMBER	DESCRIPTION	BY DATE	APPRO. DATE
1		ORIGINAL RELEASE	11/12/80	11/80



**UNCONTROLLED DOCUMENT  
WILL NOT BE UPDATED**

RESTRICTED & CONFIDENTIAL		MATERIAL		ITEM		PART NO.		QTY.		DESCRIPTION/REMARKS	
CONFIDENTIAL PROPERTY OF DANIELS MANUFACTURING CORP. NOT TO BE DISCLOSED TO OTHERS, REPRODUCED OR TRANSMITTED IN ANY FORM OR BY ANY MEANS, EXCEPT AS AUTHORIZED IN WRITING BY DANIELS MANUFACTURING. MUST BE RETURNED TO DANIELS MANUFACTURING CORP. ON COMPLETION OF ORDER OR OTHER PURPOSE FOR WHICH LENT.		HEAT TREAT		TRN.	LW	DATE	DATE			DANIELS MANUFACTURING CORP. ORLANDO, FLORIDA CASE 71857	
		FINISH		CHG'D.	PD	DATE	DATE				
DO NOT SCALE DRAWING				APPR'D.	AAM	DATE	DATE			THIS DRAWING IS AN OUTLINE DRAWING OF THE RESPECTIVE DWG PART NUMBER INDICATED. ACTUAL DMC PART NUMBER IS DRAWING NUMBER WITH THE -ENV SUFFIX.	
				NOTE:		WHERE USED:		SCALE		SHEET OF	
								DRK110-20A-ENV		1 1	
								DRK110-20A-ENV		1 1	