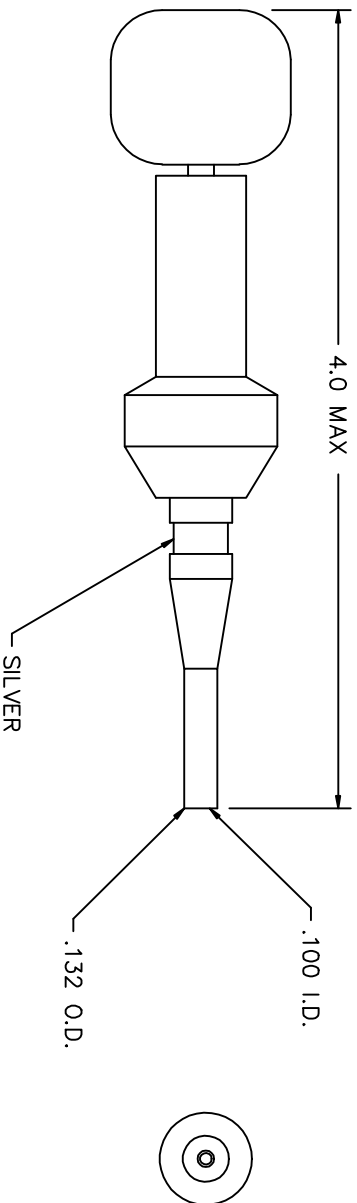



REVISIONS				
REV. NO.	E.O.D. NUMBER	DESCRIPTION	BY DATE	APP'D DATE
2		.132 WAS .123	RRR 3/23/03	RRR 3/23/03
3	21484	ADDED PROBE VIEW	RRR 11/03/09	RRR 11/03/09



**UNCONTROLLED DOCUMENT
WILL NOT BE UPDATED**

RESTRICTED & CONFIDENTIAL		MATERIAL		ITEM		PART NO.		QTY.		DESCRIPTION/REMARKS	
CONFIDENTIAL PROPERTY OF DANIELS MANUFACTURING CORP. NOT TO BE DISCLOSED TO OTHERS, REPRODUCED OR COPIED IN ANY MANNER EXCEPT AS AUTHORIZED IN WRITING BY DANIELS MANUFACTURING. MUST BE RETURNED TO DANIELS MANUFACTURING CORP. ON COMPLETION OF ORDER OR OTHER PURPOSE FOR WHICH LENT.		HEAT TREAT		DRK J. JOYCE 1/21/02		DATE 1/21/02		 DANIELS MANUFACTURING CORP. ORLANDO, FLORIDA CAGE 71851		REMOVAL TOOL #16 ENVELOPE DRAWING (M81969/30-26 REV. B)	
		FINISH		APP'D. DATE		APP'D. DATE					
DO NOT SCALE DRAWING				THIS DRAWING IS AN OUTLINE DRAWING OF THE RESPECTIVE DMC PART NUMBER INDICATED. ACTUAL DMC PART NUMBER IS INDICATED IN THE "-ENV" SUFFIX.		NOTE: WHERE USED: B SIZE NTS POSTING		CAD P/N DRK110-16A-ENV DMC NO. DRK110-16A-ENV		SHEET 1 OF 1 REV. 3	