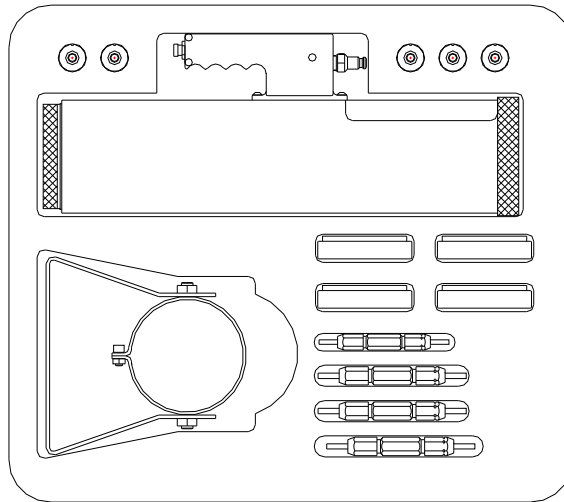


DMC1550 WA23 & ACCESSORIES TOOL KIT

DESCRIPTION: WA23 Pneumatic Crimp Tool and accessories. This tool kit is contained in a fiberglass case with foam inserts that have contoured tool cavities, laminated instruction sheets that are permanently attached on a ring binder, and a contents chart that identifies the location of the tool and accessories.



PARTS LIST

PART NUMBER	QUANTITY	DESCRIPTION
WA23	1	PNEUMATIC CRIMP TOOL
—	1	BENCH MOUNT FOR WA23
WA23-9	1	LOCATOR
WA23-10	1	LOCATOR
WA23-11	1	LOCATOR
WA23-12	1	LOCATOR
WA23-13	1	LOCATOR
WA23-2	1	DIE SET
WA23-3	1	DIE SET
WA23-4	1	DIE SET
WA23-5	1	DIE SET
G693	1	IN-SERVICE INSPECTION GAGE
G694	1	IN-SERVICE INSPECTION GAGE
G695	1	IN-SERVICE INSPECTION GAGE
G696	1	IN-SERVICE INSPECTION GAGE