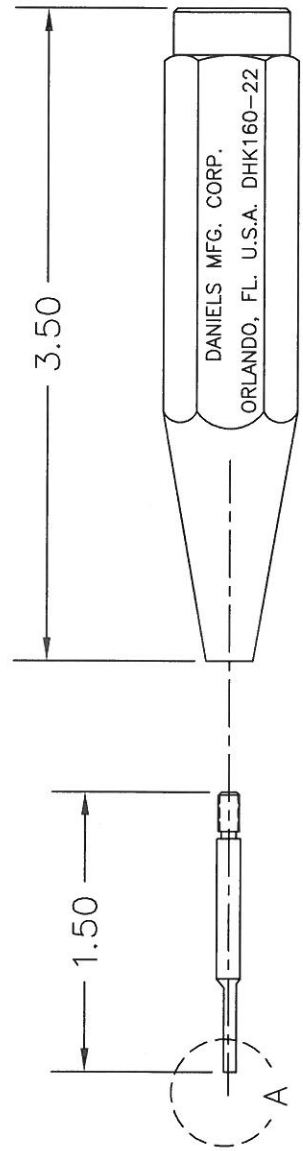
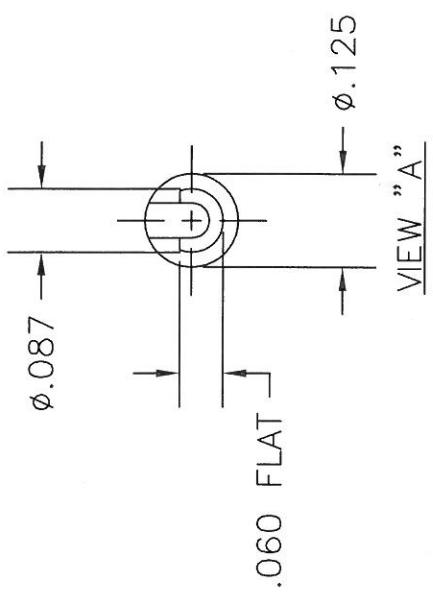


REV. SYM.		E.C.O. NUMBER	DESCRIPTION	BY DATE	APP'D DATE
1			ORIGINAL RELEASE	DUNG CAO 9-18-95	DE 9-95

**UNCONTROLLED DOCUMENT
WILL NOT BE UPDATED**

DIMENSIONS IN INCHES - UNLESS OTHERWISE SPECIFIED



RESTRICTED & CONFIDENTIAL

CONFIDENTIAL PROPERTY OF DANIELS MANUFACTURING CORP. NOT TO BE DISCLOSED TO OTHERS, REPRODUCED OR USED FOR ANY OTHER PURPOSE, EXCEPT AS AUTHORIZED IN WRITING BY DANIELS MANUFACTURING. MUST BE RETURNED TO DANIELS MANUFACTURING CORP. ON COMPLETION OF ORDER OR OTHER PURPOSE FOR WHICH LENT.

DO NOT SCALE DRAWING

ITEM	PART NO.	QTY.	DESCRIPTION/REMARKS
DRN. DUNG CAO 9-18-95			DANIELS MANUFACTURING CORP. ORLANDO, FLORIDA CAGE 11851
CHK'D. DE 9-95			
APP'D. DATE			TITLE
APP'D. DATE			INSTALLING TOOL #22 ENVELOPE DRAWING
NOTE: THIS DRAWING IS AN OUTLINE DRAWING OF THE RESPECTIVE DMC PART NUMBER INDICATED. ACTUAL DMC PART NUMBER IS DRAWING NUMBER WITHOUT THE "-ENV" SUFFIX.		WHERE USED:	
HEAT TREAT		SIZE A	CAD P/N DHK160-22-ENV
FINISH		SCALE NTS	SHEET 1 OF 1
		POSTING	DWG. NO. DHK160-22-ENV
			REV. 1