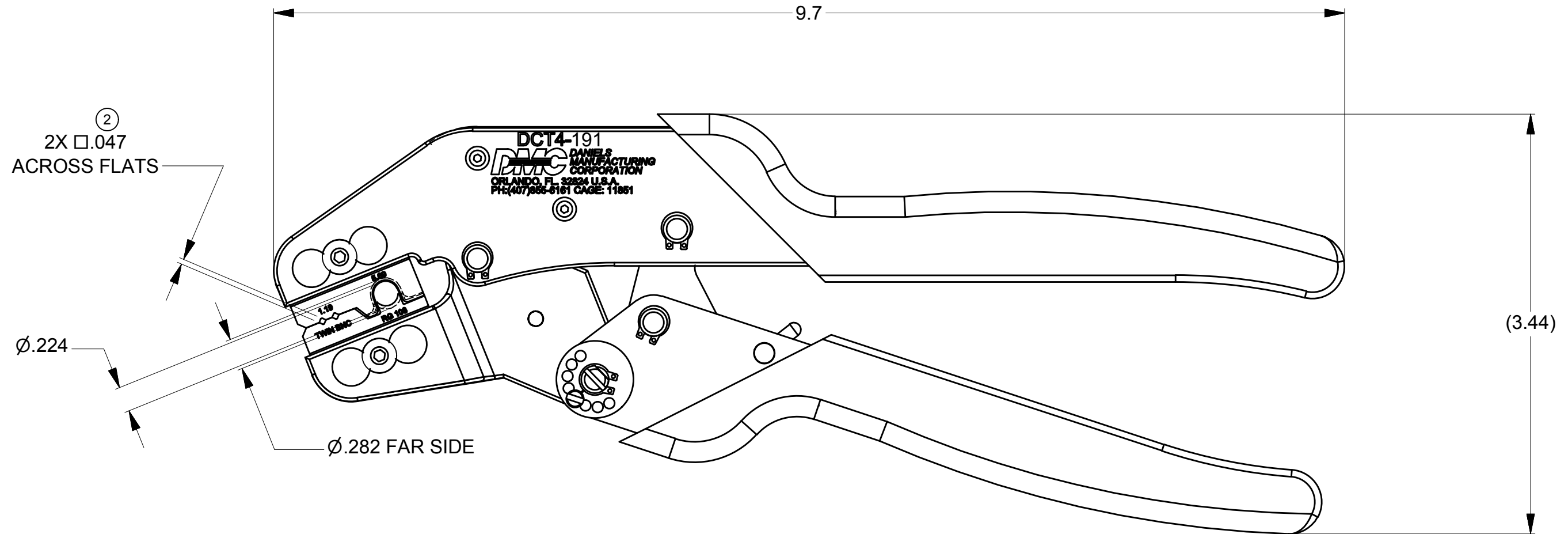


Users must assure they are using the correct revision.

REVISIONS				
REV SYM	ECO NUMBER	DESCRIPTION	BY DATE	APP'D DATE
1		ORIGINAL RELEASE	MF 5-21-12	
2	24316	.047 WAS .051	MF 5/24/16	EF 5/24/16



UNCONTROLLED DOCUMENT  
WILL NOT BE UPDATED

2. FUNCTIONAL EQUIVALENT TO TE 91909-1  
1. ALL DIMENSIONS ARE IN INCHES UNLESS OTHERWISE SPECIFIED.

NOTES:

<p><b>RESTRICTED &amp; CONFIDENTIAL</b></p> <p>CONFIDENTIAL PROPERTY OF DANIELS MANUFACTURING CORP. NOT TO BE DISCLOSED TO OTHERS, REPRODUCED OR USED FOR ANY OTHER PURPOSE EXCEPT AS AUTHORIZED IN WRITING BY DANIELS MANUFACTURING. MUST BE RETURNED TO DANIELS MANUFACTURING CORP. ON COMPLETION OF ORDER OR OTHER PURPOSE FOR WHICH LENT.</p> <p>CREATED FROM AN INVENTOR MODEL. CHANGES MUST BE REFLECTED IN THE 3D PART</p> <p><b>DO NOT SCALE DRAWING</b></p>	MATERIAL	ITEM	PART NO.	QTY.	DESCRIPTION/REMARKS								
	HEAT TREAT	DRN. Matt Frink	DATE 5-21-12		DANIELS MANUFACTURING CORP. ORLANDO, FLORIDA CAGE 11851								
	FINISH	CHK'D.	DATE										
		APP'D.	DATE			<p>TITLE <b>COMMERCIAL CRIMP TOOL ENVELOPE DRAWING</b></p> <p>WHERE USED:</p> <table border="1"> <tr> <td>SIZE B</td> <td>SCALE NTS</td> <td>CAD P/N DCT4-191-ENV</td> <td>SHEET OF 1 1</td> </tr> <tr> <td>POSTING</td> <td>P/N DCT4-191-ENV</td> <td>REV. 2</td> <td></td> </tr> </table>	SIZE B	SCALE NTS	CAD P/N DCT4-191-ENV	SHEET OF 1 1	POSTING	P/N DCT4-191-ENV	REV. 2
SIZE B	SCALE NTS	CAD P/N DCT4-191-ENV	SHEET OF 1 1										
POSTING	P/N DCT4-191-ENV	REV. 2											

NOTE:  
THIS DRAWING IS AN OUTLINE DRAWING OF THE RESPECTIVE DMC PART NUMBER INDICATED. ACTUAL DMC PART NUMBER IS DRAWING NUMBER WITHOUT THE "-ENV" SUFFIX