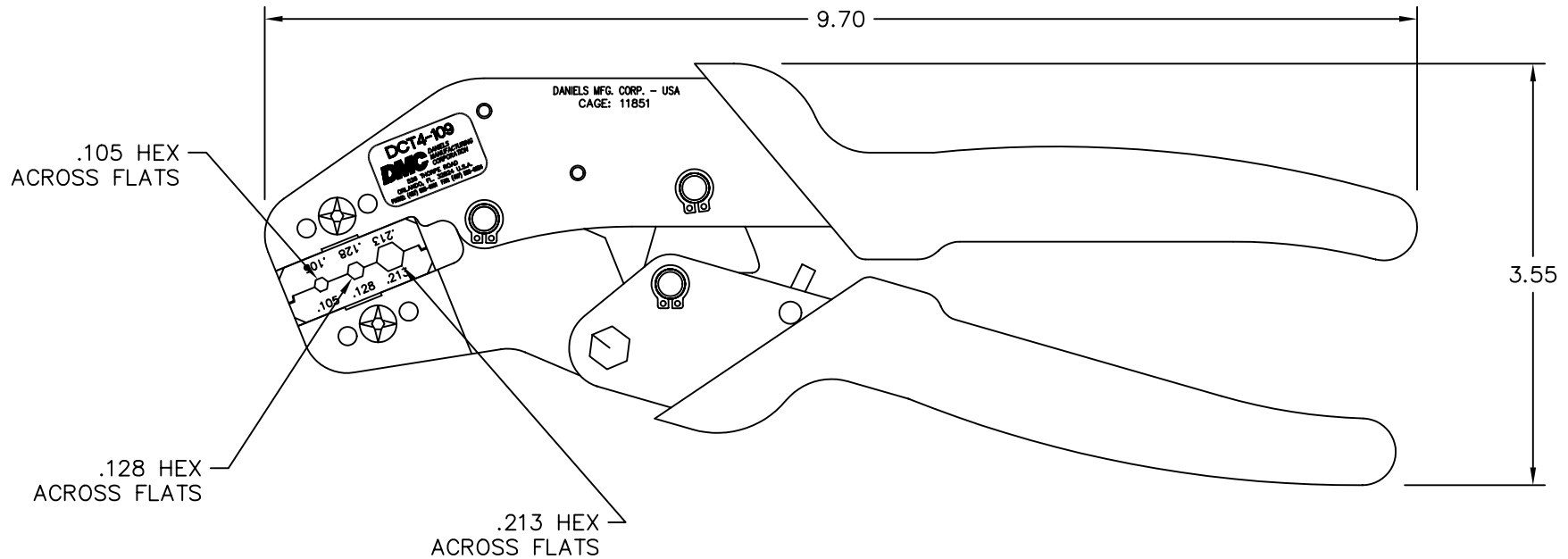



REVISIONS				
REV. SYM.	E.C.O. NUMBER	DESCRIPTION	BY DATE	APP'D DATE
1		ORIGINAL RELEASE	JWJ 6/12/00	RRR 6/12/00



**UNCONTROLLED DOCUMENT
WILL NOT BE UPDATED**

RESTRICTED & CONFIDENTIAL CONFIDENTIAL PROPERTY OF DANIELS MANUFACTURING CORP. NOT TO BE DISCLOSED TO OTHERS, REPRODUCED OR USED FOR ANY OTHER PURPOSE, EXCEPT AS AUTHORIZED IN WRITING BY DANIELS MANUFACTURING. MUST BE RETURNED TO DANIELS MANUFACTURING CORP. ON COMPLETION OF ORDER OR OTHER PURPOSE FOR WHICH LENT.	MATERIAL	ITEM	PART NO.	QTY.	DESCRIPTION/REMARKS								
	HEAT TREAT	DRN. J. JOYCE	DATE 6/12/00		 DANIELS MANUFACTURING CORP. ORLANDO, FLORIDA CAGE 11851								
FINISH	CHK'D. RRR	DATE 6/12/00				TITLE							
	DO NOT SCALE DRAWING	APP'D.	DATE		COMMERCIAL CRIMP TOOL ENVELOPE DRAWING								
		NOTE:			WHERE USED:								
		THIS DRAWING IS AN OUTLINE DRAWING OF THE RESPECTIVE DMC PART NUMBER INDICATED. ACTUAL DMC PART NUMBER IS DRAWING NUMBER WITHOUT THE "-ENV" SUFFIX.			<table border="1"> <tr> <td>SIZE B</td> <td>SCALE FULL</td> <td>CAD P/N DCT4-109-ENV</td> <td>SHEET 1 OF 1</td> </tr> <tr> <td>POSTING</td> <td>DWG. NO. DCT4-109-ENV</td> <td>REV. 1</td> <td></td> </tr> </table>	SIZE B	SCALE FULL	CAD P/N DCT4-109-ENV	SHEET 1 OF 1	POSTING	DWG. NO. DCT4-109-ENV	REV. 1	
SIZE B	SCALE FULL	CAD P/N DCT4-109-ENV	SHEET 1 OF 1										
POSTING	DWG. NO. DCT4-109-ENV	REV. 1											