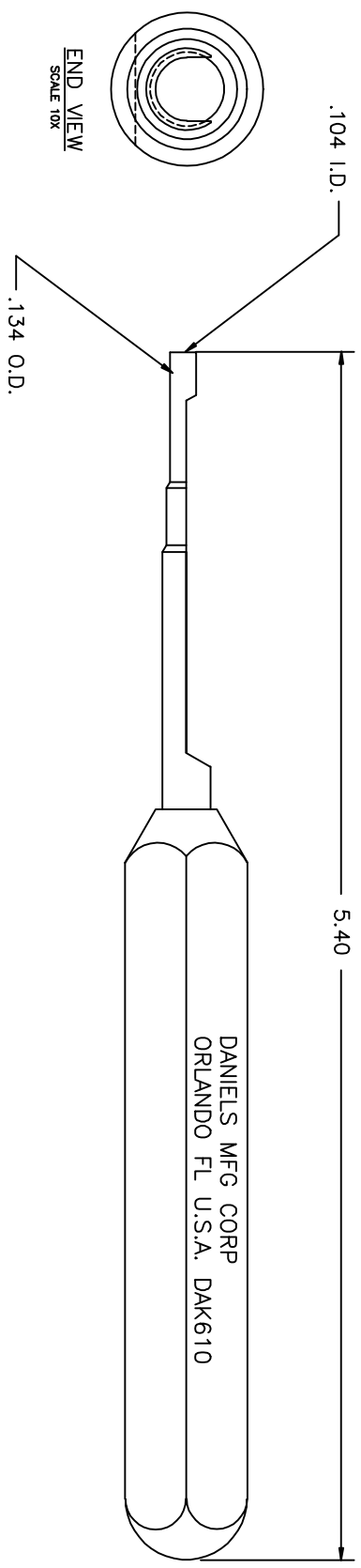


REVISIONS				
REV. STYL. NUMBER	ECO. NUMBER	DESCRIPTION	BY DATE	APP'D DATE
1		ORIGINAL RELEASE	MM/05	RRR/05
2	21481	END VIEW ADDED	KDH 11/02/09	RRR 11/02/09



**UNCONTROLLED DOCUMENT
WILL NOT BE UPDATED**

RESTRICTED & CONFIDENTIAL CONFIDENTIAL PROPERTY OF DANIELS MANUFACTURING CORP. NOT TO BE DISCLOSED TO OTHERS, REPRODUCED OR USED FOR ANY OTHER PURPOSE, EXCEPT AS AUTHORIZED IN WRITING BY DANIELS MANUFACTURING. MUST BE RETURNED TO DANIELS MANUFACTURING CORP. ON COMPLETION OF ORDER OR OTHER PURPOSE FOR WHICH SENT.		MATERIAL		HEAT TREAT		FINISH	
ITEM	PART NO.	QTY.	DESCRIPTION/REMARKS				
DRW. J. JOYCE	DATE 1/18/05		DANIELS MFG CORP ORLANDO FL U.S.A. DAK610				
CHK'D. RRR	DATE 1/18/05		DANIELS MANUFACTURING CORP. ORLANDO, FLORIDA CAGE 11851				
APP'D.	DATE		TITLE INSTALLING TOOL ENVELOPE DRAWING				
APP'D.	DATE		WHERE USED: SIZE SCALE B NTS POSTING				
NOTE: THIS DRAWING IS AN OUTLINE DRAWING OF THE RESPECTIVE DIM. PART NUMBER AND PART NUMBER IS DRAWING NUMBER WITHOUT THE "-ENV" SUFFIX.			CAD P/N	SHEET	OF	DWG. NO.	REV.
			DAK610-ENV	1	1	DAK610-ENV	2

DO NOT SCALE DRAWING