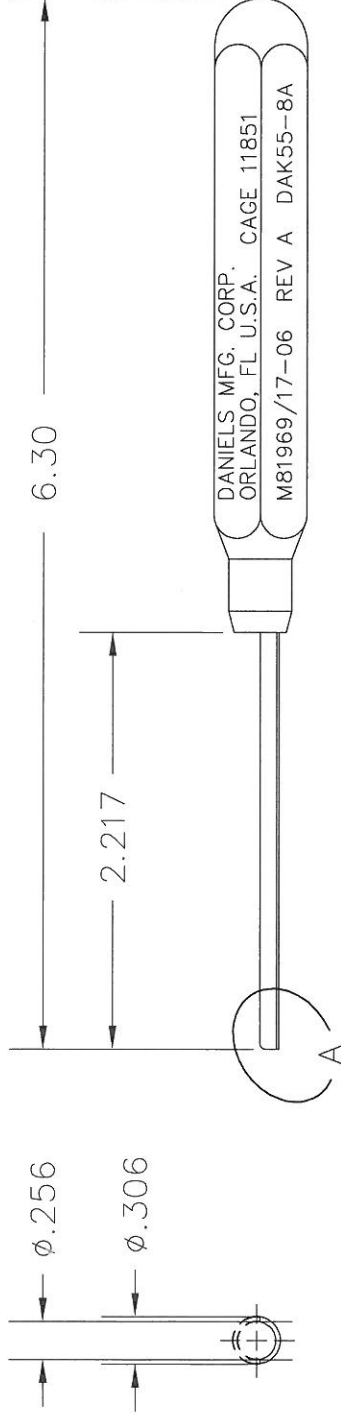


REVISIONS

REV. SYM.	E.C.O. NUMBER	DESCRIPTION	BY DATE	APP'D DATE
1		ORIGINAL RELEASE	JWJ 11/20/99	RRR 11/20/99



VIEW A

DANIELS MFG. CORP.
ORLANDO, FL U.S.A. CAGE 11851
M81969/17-06 REV A DAK55-8A

RESTRICTED & CONFIDENTIAL
CONFIDENTIAL PROPERTY OF DANIELS MANUFACTURING CORP. NOT TO BE DISCLOSED TO OTHERS, REPRODUCED OR USED FOR ANY OTHER PURPOSE, EXCEPT AS AUTHORIZED IN WRITING BY DANIELS MANUFACTURING. MUST BE RETURNED TO DANIELS MANUFACTURING CORP. ON COMPLETION OF ORDER OR OTHER PURPOSE FOR WHICH LENT.

DO NOT SCALE DRAWING

ITEM		PART NO.		QTY.		DESCRIPTION/REMARKS			
DRN.	J. JOYCE	DATE	11/20/99			DANIELS MANUFACTURING CORP. ORLANDO, FLORIDA CAGE 11851			
CHK'D.	RRR	DATE	11/20/99			TITLE INSTALLING TOOL #8 ENVELOPE DRAWING			
APP'D.		DATE				WHERE USED:			
APP'D.		DATE				SIZE	SCALE	CAD P/N	SHEET OF
						A	NTS	DAK55-8A-ENV	1 1
						POSTING		DWG. NO.	REV.
								DAK55-8A-ENV	1